



# LACUNZA

*Natural comfort*

50

YEARS WITH YOU  
LACUNZA



Model: Loire 1000 F/S



## Lacunza is... **HISTORY**

Our roots lie in the Sakana valley, in the Navarre region of Spain. We were born and raised here, and our business is marked by more than 50 years of work and a non-stop forward path.

For more than half a century, we have forged our business' unique personality based on the sustainability of the environment, innovation, technology, design and customer orientation.

From the original iron foundry and subsequent cookstove and fireplace factory, LACUNZA has undergone a remarkable evolution and development. This is evidenced in our range of products, models, materials and energy sources, as well as the continued incorporation of quality, innovation and design into all our products.

## Lacunza is... **COMMITMENT**

At LACUNZA, we have set a benchmark for cookstoves, wood-burning stoves and fireplaces. We design, manufacture and market all our products.

Our greatest strength is our personnel and their commitment to our company. We strive to foster respect for the social, economic and environmental surroundings and through this, we give back to the environment.

## Lacunza is... **SUSTAINABILITY**

At LACUNZA, the importance of taking care of our forests is clear to us. Our manufacturing goal is for all our products to have the greatest energy efficiency with the smallest ecological footprint possible. We care for and replant forests that provide one of the greatest sources of heat and energy: wood.

# In-Built



# Silver



Silver 800



Silver 1000

## CHARACTERISTICS

- Carbon steel insert in 800 and 1000mm options
- Black Vermiculite interior panels
- Two 5 speed optional centrifugal fan sets 300m3 p/h
- Fans thermostatically controlled
- Removable ash pan
- Full glass door
- 200mm Flue connection
- Double combustion
- Heat output:  
800 Silver = 10 kW/h  
1000 Silver = 11.3 kW/h
- Fully certified to AS/NZS 4012, 4013 and 2918
- Overnight burn up to 12 hours
- Heating Capacity up to:  
250 m<sup>2</sup> (For 800 model)  
300 m<sup>2</sup> (For 1000 model)
- Zero Clearance Box available
- Refractory brick and cast-iron internal base
- Hot Air Ducts not available in Australia
- Includes one 50mm 4-sided colour coded trims



Optional Fans Thermostatically Controlled

# Nive



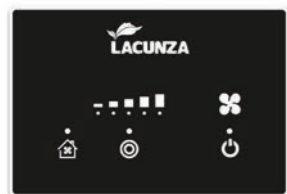
50mm Rear Clearance



Nive 800



Nive 1000



Optional Fans Automatically and Manually Controlled

## CHARACTERISTICS

- Carbon steel insert in 800 and 1000mm options
- Black Vermiculite interior panels
- Optional Fan Kits:
  - Nive 800: 1 Fan set manual and automatic modes 5 speed touch control pad with remote control
  - Nive 1000: 3 Fan set manual and automatic modes 5 speed touch control pad with remote control
- Full glass door
- Optimal combustion
- Anti-stain glass
- Rear Clearance 50mm
- Nive 800: 150mm Flue connection
- Nive 1000: 150mm Flue connection
- Heat output:
  - 800 Nive = 9.5 kW/h
  - 1000 Nive = 13.6 kW/h
- Overnight burn up to 12 hours
- Heating Capacity up to:
  - 250 m<sup>2</sup> (For 800 model)
  - 300 m<sup>2</sup> (For 1000 model)
- Zero Clearance Box available
- Black Vermiculite Internal Base
- Hot Air Ducts available
- External air intake possible
- Fully certified to AS/NZS 4012, 4013 and 2918
- Includes one 25mm 4-sided colour coded trims



50mm Rear Clearance

# Loire



50mm Rear Clearance



Loire 800



Loire 1000

## CHARACTERISTICS

- Carbon steel insert in 800 and 1000mm options
- Black Vermiculite interior panels with cast iron grate
- Rear Clearance 50mm
- Included Fan Kits:
  - Loire 800 2 Fan set manual and automatic modes 5 speed touch control pad with remote control
  - Loire 1000 4 Fan set manual and automatic modes 5 speed touch control pad with remote control
- Loire 800 - 150mm Flue connection
- Loire 1000 - 200mm Flue connection
- Optimal combustion
- Anti-stain glass
- Overnight burn up to 12 hours
- Heating Capacity up to:
  - 250 m<sup>2</sup> (For 800 model),
  - 300 m<sup>2</sup> (For 1000 model)
- Heat output:
  - Loire 800 = 10 kW/h
  - Loire 1000 = 14.1 kW/h
- Available with Zero Clearance Box
- Fully certified to AS/NZS 4012, 4013 and 2918
- External air intake possible
- Includes one 25mm 4-sided colour coded trims



Included Fans Automatically and Manually Controlled

# Nickel Double Sided



Nickel 800



Nickel 1000

## CHARACTERISTICS

- Carbon steel double sided insert in 800 and 1000mm options
- Black Vermiculite interior panels
- Cast iron internal base
- Stainless steel removable ash pan
- Full glass doors opening from both sides
- 200mm Flue connection
- Double combustion control
- Heat output:
  - 800 Nickel = 15.8 kW/h
  - 1000 Nickel = 19.9 kW/h
- Fully certified to AS/NZS 4012, 4013 and 2918
- Overnight burn up to 12 hours (Nickel 1000)
- Heating Capacity up to:
  - 300 m<sup>2</sup> (For 800 model)
  - 350 m<sup>2</sup> (For 1000 model)
- Zero Clearance Box available
- External air intake possible
- Includes two 50mm 4-sided colour coded trims

# Freestanding



## Atlantic 603



### CHARACTERISTICS

- Steel stove 60cm wide and 85cm high
- Black Vermiculite interior
- Full glass door
- Stainless steel ash pan
- Cast Iron grill
- Double combustion control with air wash
- 150mm flue connection
- Heating output:  
Atlantic 603 = 6.1 kW/h
- Fully certified to AS/NZS 4012, 4013 and 2918
- Overnight Burn time up to 12 hours
- Heating Capacity up to 200 m<sup>2</sup>
- Includes rear heat shield
- External air intake possible



## Committed to **QUALITY**

We are a company focused on the design, manufacture and marketing of cook stoves, wood-burning stoves and fireplaces. Through a Quality Management System based on ISO 9001, we undertake to comply with applicable requirements and to continually improve the effectiveness of the Quality Management System.

## Atlantic 613



Atlantic 613

### CHARACTERISTICS

- Steel stove 60cm wide and 110cm high
- Black Vermiculite interior
- Full glass door
- Stainless steel ash pan
- Cast Iron grill
- Double combustion control with air wash
- 150mm flue connection
- Heating output:  
Atlantic 613 = 11.8 kW/h
- Fully certified to AS/NZS 4012, 4013 and 2918
- Overnight Burn time up to 12 hours
- Heating Capacity up to 250 m<sup>2</sup>
- Includes rear heat shield
- External air intake possible

## Dedication to **SERVICE**

Our main commitment to our customers is to offer them more than the guaranteed quality of our products. Our commitment and proposal is to make our services synonymous with trust and quick, comfortable and efficient relationships. At LACUNZA, we openly seek to promote mutual loyalty and offer our own Technical Assistance Service to ensure that the product experience is always the best.

## Silver F/S



Optional Fans Thermostatically Controlled

### CHARACTERISTICS

- Carbon steel in 800 and 1000mm options
- Black Vermiculite interior panels
- Two 5 speed optional centrifugal fans 300m<sup>3</sup> p/h
- Fans thermostatically controlled
- Stainless steel ash pan
- Full glass door
- 200mm Flue connection
- Double combustion control
- Heat output:  
800 Silver = 10 kW/h -> both not added  
1000 Silver = 11.3 kW/h
- Fully certified to AS/NZS 4012, 4013 and 2918
- Overnight Burn up to 12 hours
- Heating Capacity up to:  
250 m<sup>2</sup> (For 800 model)  
300 m<sup>2</sup> (For 1000 model)
- Refractory brick and cast-iron internal base

## Silver F/S W/B



## Nive F/S



50mm Rear Clearance

### CHARACTERISTICS

- Carbon steel in 800 and 1000mm options
- Black Vermiculite interior panels
- Two 5 speed optional centrifugal fans 300 m<sup>3</sup> p/h
- Fans thermostatically controlled
- Stainless steel removable ash pan
- Full glass door
- 200mm or reduced to 180mm flue connection
- Double combustion control
- Heat output:  
800 Silver = 10.0 kW/h  
1000 Silver = 11.3 kW/h
- Fully certified to AS/NZS 4012, 4013 and 2918
- Overnight Burn up to 12 hours
- Heating Capacity up to:  
250 m<sup>2</sup> (For 800 model)  
300 m<sup>2</sup> (For 1000 model)
- Refractory brick and cast-iron internal base

#### WOOD BOX:

- Supplied in Flat Packed boxes
- Wood Box 800: 372mm x 800mm x 447mm
- Wood Box 1000: 372mm x 1000mm x 447mm



Optional Fans Thermostatically Controlled

### CHARACTERISTICS

- Carbon steel insert in 800 and 1000mm options
- Black Vermiculite interior panels
- Optional Fan Kit:  
Nive 800: Option Fan Kit: 1 Fan set manual and auto-  
matic modes 5 speed touch control pad with remote  
control  
Nive 1000: Option Fan Kit: 3 Fan set manual and auto-  
matic modes 5 speed touch control pad with remote  
control
- Full glass door
- Optimal combustion
- Anti-stain glass
- Rear Clearance 50mm
- Nive 800 150mm Flue connection
- Nive 1000 150mm Flue connection
- Heat output:  
800 Nive = 9.5 kW/h  
1000 Nive = 13.6 kW/h
- Nive 800 Overnight burn up to 10 hours
- Nive 1000 Overnight burn up to 12 hours
- Heating Capacity up to:  
250 m<sup>2</sup> (For 800 model)  
300 m<sup>2</sup> (For 1000 model)
- Vermiculite internal base
- Hot Air Ducts not available in Australia
- External air intake possible
- Fully certified to AS/NZS 4012, 4013 and 2918



Nive F/S 800



Nive F/S 1000



Optional Fans Automatically and Manually Controlled

## Nive F/S W/B



50mm Rear Clearance



Nive F/S W/B 800



Nive F/S W/B 1000



Optional Fans Automatically and Manually Controlled

### CHARACTERISTICS

- Carbon steel insert in 800 and 1000mm options
- Black Vermiculite interior panels
- Option Fan Kit:  
Nive 800: Option Fan Kit: 1 Fan set manual and automatic modes 5 speed touch control pad with remote control  
Nive 1000: Option Fan Kit: 3 Fan set manual and automatic modes 5 speed touch control pad with remote control
- Full glass door
- Optimal combustion
- Anti-stain glass
- Nive 800 150mm Flue connection
- Nive 1000 150mm Flue connection
- Rear Clearance 50mm
- Heat output:  
800 Nive = 9.5 kW/h
- 1000 Nive = 13.6 kW/h
- Nive 800 Overnight burn up to 10 hours
- Nive 1000 Overnight burn up to 12 hours
- Heating Capacity up to:  
250 m<sup>2</sup> (For 800 model)  
300 m<sup>2</sup> (For 1000 model)
- Vermiculite internal base
- Hot Air Ducts not available in Australia
- External air intake possible
- Fully certified to AS/NZS 4012, 4013 and 2918

#### WOOD BOX:

- Supplied in Flat Packed boxes
- Wood Box 800: 376.99mm x 449mm x 802.01mm
- Wood Box 1000: 451.51mm x 449mm x 1002.01mm

## Loire F/S



50mm Rear Clearance



Loire F/S 800



Loire F/S 1000



Included Fans Automatically and Manually Controlled

### CHARACTERISTICS

- Carbon steel insert in 800 and 1000mm options
- Black Vermiculite interior panels
- Fan Kit:  
Loire 800: Fan Kit: 2 Fan set manual and automatic modes 5 speed touch control pad with remote control  
Loire 1000: 4 Fan set manual and automatic modes 5 speed touch control pad with remote control
- Removable ash pan
- Optimal combustion
- Anti-stain glass
- Rear Clearance 50mm
- Loire 800: 150mm Flue connection
- Loire 1000: 200mm Flue connection
- Heat output :  
Loire 800 = 12.3 kW/h  
Loire 1000 = 14.1 kW/h
- Overnight burn up to 12 hours (Loire 1000)
- Heating Capacity up to:  
250 m<sup>2</sup> (For 800 model)  
300 m<sup>2</sup> (For 1000 model)
- Refractory brick and cast-iron internal base
- Hot Air Ducts not available in Australia
- External air intake possible
- Fully certified to AS/NZS 4012, 4013 and 2918

## Loire F/S W/B



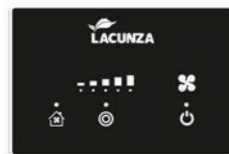
50mm Rear Clearance



Loire F/S W/B 800



Loire F/S W/B 1000



Included Fans Automatically and Manually Controlled

### CHARACTERISTICS

- Carbon steel insert in 800 and 1000mm options
- Black Vermiculite interior panels
- Fan Kit:  
Loire 800: Fan Kit: 2 Fan set manual and automatic modes 5 speed touch control pad with remote control  
Loire 1000: 4 Fan set manual and automatic modes 5 speed touch control pad with remote control
- Removable ash pan
- Optimal combustion
- Anti-stain glass
- Rear Clearance 50mm
- Loire 800: 150mm Flue connection
- Loire 1000: 200mm Flue connection
- Heat output :  
Loire 800 = 12.3 kW/h  
Loire 1000 = 14.1 kW/h
- Overnight burn up to 12 hours (Loire 1000)
- Heating Capacity up to:  
250 m<sup>2</sup> (For 800 model)  
300 m<sup>2</sup> (For 1000 model)
- Refractory brick and cast-iron internal base
- Hot Air Ducts not available in Australia
- External air intake possible
- Fully certified to AS/NZS 4012, 4013 and 2918

#### WOOD BOX:

- Supplied in Flat Packed boxes
- Wood Box 800: 376.99mm x 449mm x 802.01mm
- Wood Box 1000: 451.51mm x 449mm x 1002.01mm

## Verona F/S Double Sided



### CHARACTERISTICS

- Carbon steel double sided available in 800 and 1000mm
- Black Vermiculite panels
- Cast iron internal base
- Stainless steel removable ash pan
- Full glass doors
- 200mm Flue connection
- Double combustion control
- Heat output  
800 Verona = 15.8 kW/h  
1000 Verona = 19.9 kW/h
- Fully certified to AS/NZS 4012, 4013 and 2918
- Overnight Burn up to 12 hours (Verona 1000)
- Heating Capacity up to:  
300 m<sup>2</sup> (For 800 model)  
350 m<sup>2</sup> (For 1000 model)
- External air intake possible



Verona 800



Verona 1000

# Verona F/S Double Sided W/B and Pedestal

# Technical informations



Verona 800 Pedestal

### CHARACTERISTICS

- Carbon steel double sided in 800 and 1000mm
- Black Vermiculite panels
- Removable ash pan
- Cast iron internal base
- Full glass doors
- 200mm Flue connection
- Combustion control
- Heat output:  
800 Verona = 15.8 kW/h  
1000 Verona = 19.9 kW/h
- Fully certified to AS/NZS 4012, 4013 and 2918
- Overnight Burn time up to 12 hours
- Heating Capacity up to:  
300 m<sup>2</sup> (Verona 800)  
350 m<sup>2</sup> (Verona 1000)
- External air intake possible

**WOOD BOX:**

- Supplied not in Flat Packed boxes
- Wood Box 800: 369mm x 842mm x 515mm
- Wood Box 1000: 369mm x 992mm x 515mm

**PEDESTAL:**

- Pedestal 800/1000 Height 369mm and Circumference 200mm
- Pedestal 800/1000 Base: 700mm x 300mm

We are a company focused on the design, manufacture and marketing of cook stoves, wood-burning stoves and fireplaces. Through a Quality Management System based on ISO 9001, we undertake to comply with applicable requirements and to continually improve the effectiveness of the Quality Management System.

Model	Dimensions (W*D*H mm)	Efficiency AUS (%)	Heating Capacity	Overnight Burn (hrs)	Emissions (g/kg)	Heat Output (kW/h)	Weight (kg)	Flue Size (mm)	Hearth Thickness (mm)	Front Clearance (mm)	Rear Clearance (mm)	Zero Clearance Box	Fan Sets
Silver 800 Inbuilt	892*450*611	70	250sqm*	10*	0.9	10.0	107	200	^^	^^	^^	Yes	Optional 2 fan Set
Silver 1000 Inbuilt	1092*450*611	65	300sqm*	12*	0.7	11.3	132	200	^^	^^	^^	Yes	Optional 2 fan Set
Silver 800 Freestanding	800*450*520	70	250sqm*	10*	0.9	10.0	107	200	25**	300**	250***	N/A	Optional 2 fan Set
Silver 1000 Freestanding	1000*450*520	65	300sqm*	12*	0.7	11.3	132	200	18**	300**	225	N/A	Optional 2 fan Set
Silver 800 Wood Box	800*448*892	70	250sqm*	10*	0.9	10.0	137	200	25**	300**	250***	N/A	Optional 2 fan Set
Silver 1000 Wood Box	1000*448*892	65	300sqm*	12*	0.7	11.3	162	200	18**	300**	225	N/A	Optional 2 fan Set
Nickel 800 Inbuilt	892*510*611	64	300sqm*	10*	0.9	15.8	130	200	^^	^^	^^	Yes	N/A
Nickel 1000 Inbuilt	1092*510*611	60	350sqm*	12*	0.9	19.9	140	200	^^	^^	^^	Yes	N/A
Verona 800 Freestanding	842*515*562	64	300sqm*	10*	0.9	15.8	130	200	18**	300**	N/A	N/A	N/A
Verona 1000 Freestanding	1042*515*562	60	350sqm*	12*	0.9	19.9	140	200	18**	300**	N/A	N/A	N/A
Verona 800 Wood Box	842*515*951	64	300sqm*	10*	0.9	15.8	170	200	18**	300**	N/A	N/A	N/A
Verona 1000 Wood Box	1042*515*951	60	350sqm*	12*	0.9	19.9	190	200	18**	300**	N/A	N/A	N/A
Verona 800 Pedestal	842*515*950	64	300sqm*	10*	0.9	15.8	165	200	18**	300**	N/A	N/A	N/A
Verona 1000 Pedestal	1042*515*950	60	350sqm*	12*	0.9	19.9	185	200	18**	300**	N/A	N/A	N/A
Loire 800 Inbuilt	836*451*616	66	250sqm*	10*	0.5	10.0	100	150	^^	^^	^^	Yes	2 fans included
Loire 1000 Inbuilt	1036*451*616	67	300sqm*	12*	0.7	14.1	117	200	^^	^^	^^	Yes	4 fans included
Loire 800 Freestanding	796*449*576	66	250sqm*	10*	0.5	12.3	100	150	18**	300**	50	N/A	2 fans included
Loire 1000 Freestanding	996*449*576	67	300sqm*	12*	0.7	14.1	117	200	18**	300**	50	N/A	4 fans included
Loire 800 Wood Box	802*953*449	66	250sqm*	10*	0.5	12.3	130	150	18**	300**	50	N/A	2 fans included
Loire 1000 Wood Box	1002*1028*449	67	300sqm*	12*	0.7	14.1	147	200	18**	300**	50	N/A	4 fans included
Nive 800 Inbuilt	836*471*513	65	250sqm*	10*	0.9	9.5	91	150	^^	^^	^^	Yes	Optional 1 fan set
Nive 1000 Inbuilt	1040*471*516	67	300sqm*	12*	1	13.6	111	150	^^	^^	^^	Yes	Optional 3 fan set
Nive 800 Freestanding	796*457*476	65	250sqm*	10*	0.9	9.5	91	150	18**	300**	50	N/A	Optional 1 fan set
Nive 1000 Freestanding	996*457*476	67	300sqm*	12*	1	13.6	111	150	18**	300**	50	N/A	Optional 3 fan set
Nive 800 Wood Box	802*853*457	65	250sqm*	10*	0.9	9.5	166	150	18**	300**	50	N/A	Optional 1 fan set
Nive 1000 Wood Box	1002*928*457	67	300sqm*	12*	1	13.6	187	150	18**	300**	50	N/A	Optional 3 fan set
Atlantic 603 Freestanding	600*428*850	67	200sqm*	12*	0.5	6.1	90	150	6**	300	150	N/A	N/A
Atlantic 613 Freestanding	600*428*1100	64	250sqm*	12*	0.5	11.8	103	150	18**	700	250	N/A	N/A

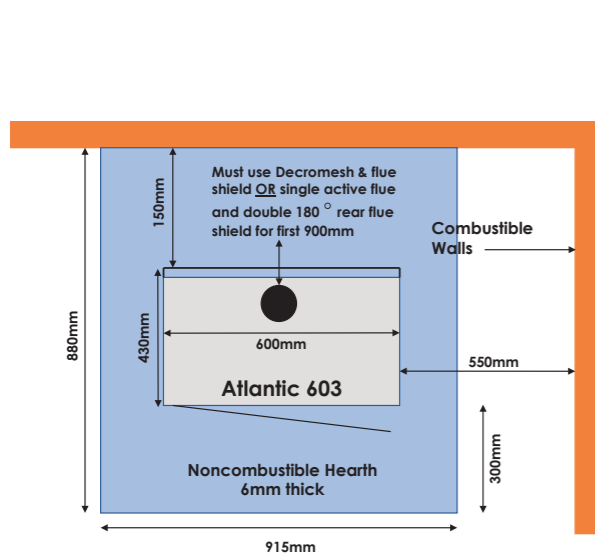
Notes:  
 \* Up to  
 ^^ See relevant product Zero Clearance Box manual  
 \*\* Fireplace base must be a minimum of 300mm off the ground  
 \*\*\* with optional Heat Shield

Committed to **QUALITY**

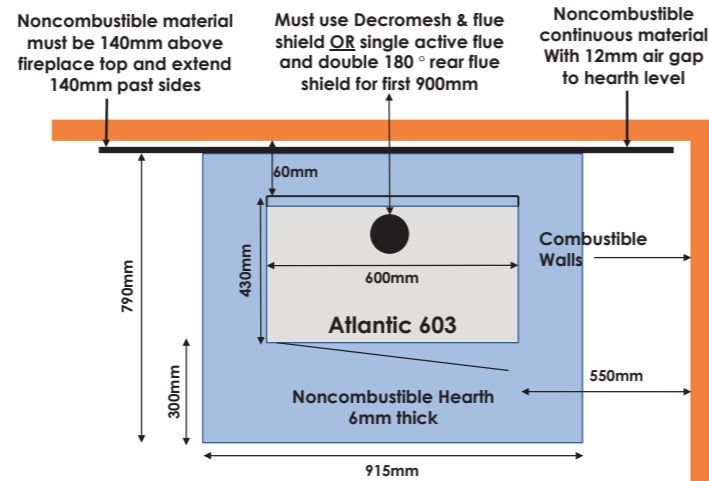


## FREESTANDING MODELS - SAFETY CLEARANCES

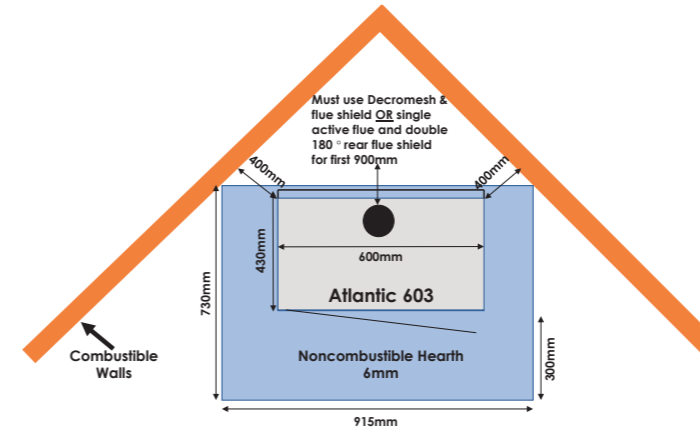
**Atlantic 603**  
Clearance Diagram



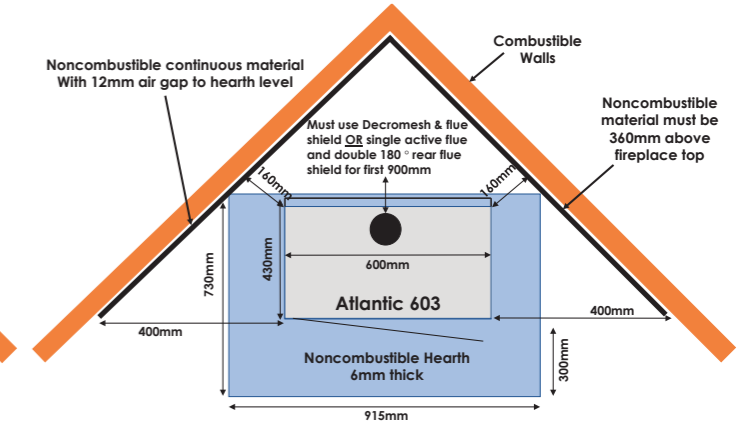
**Atlantic 603**  
Clearance Diagram with wall shield



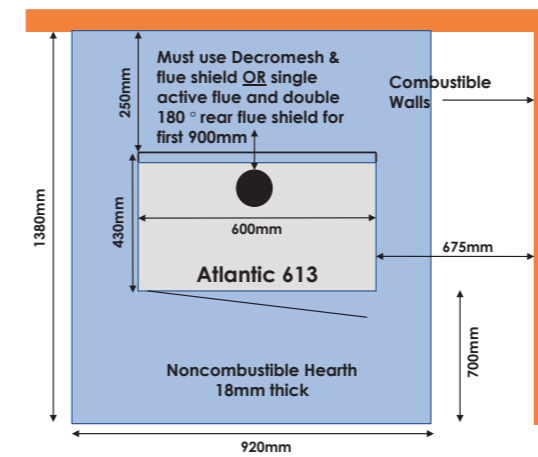
**Atlantic 603**  
Clearance diagram Corner



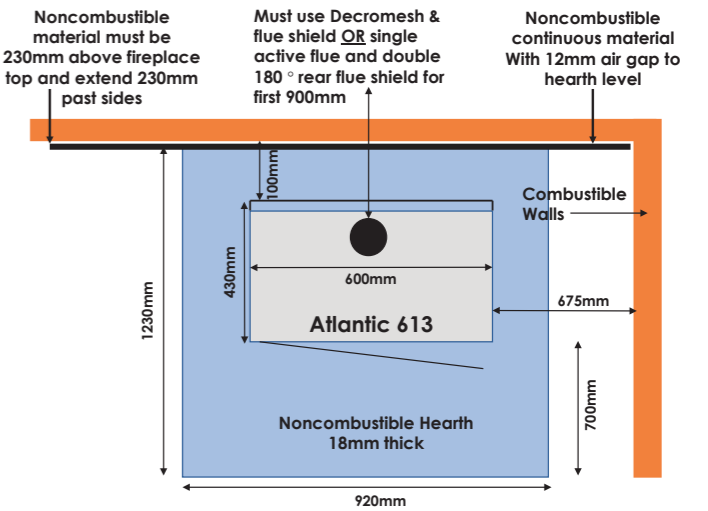
**Atlantic 603**  
Clearance diagram Corner with small shield



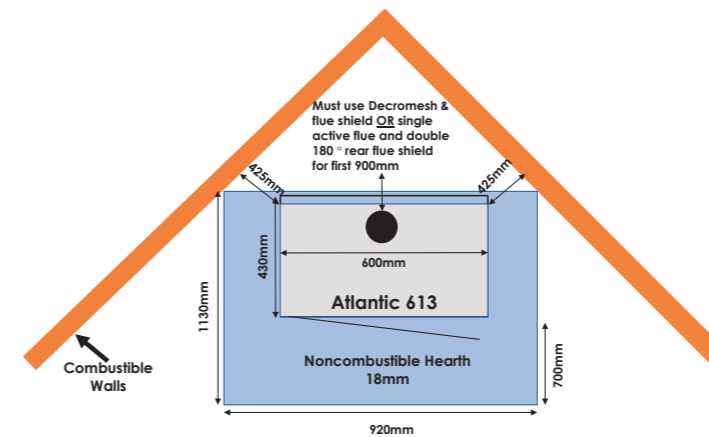
**Atlantic 613**  
Clearance diagram



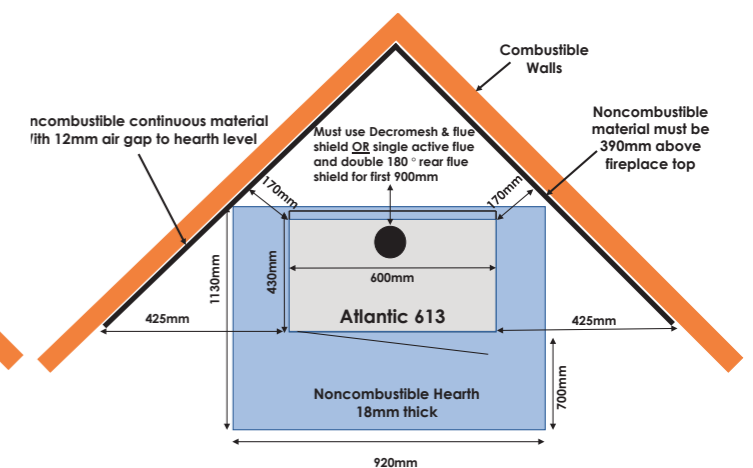
**Atlantic 613**  
Clearance diagram with small shield



**Atlantic 613**  
Clearance diagram Corner

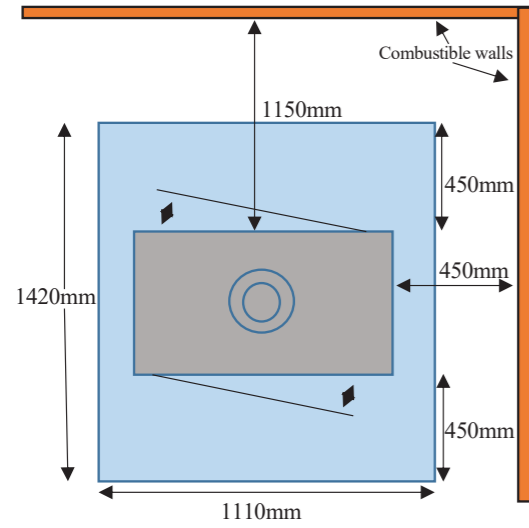


**Atlantic 613**  
Clearance diagram Corner with small shield



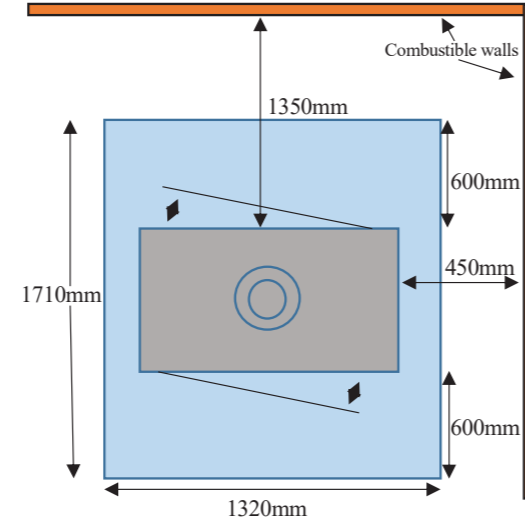
### Nickel 800 F/S

Clearance diagram



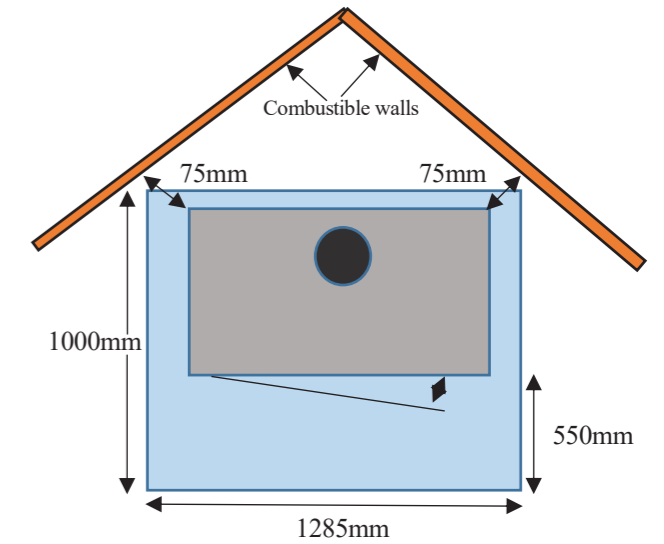
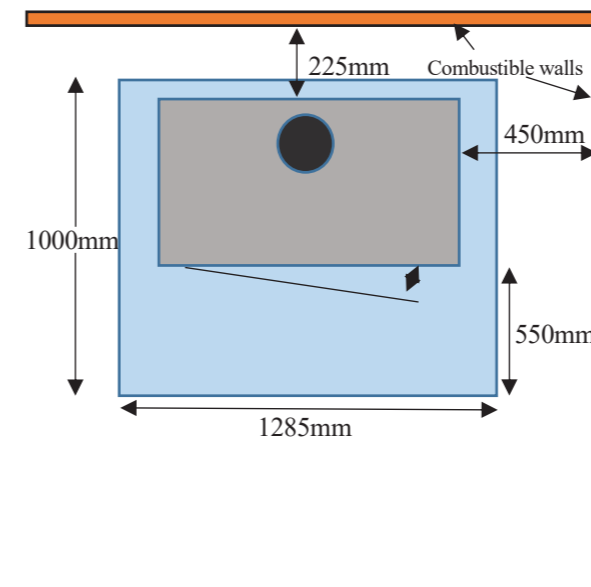
### Nickel 1000 F/S

Clearance diagram



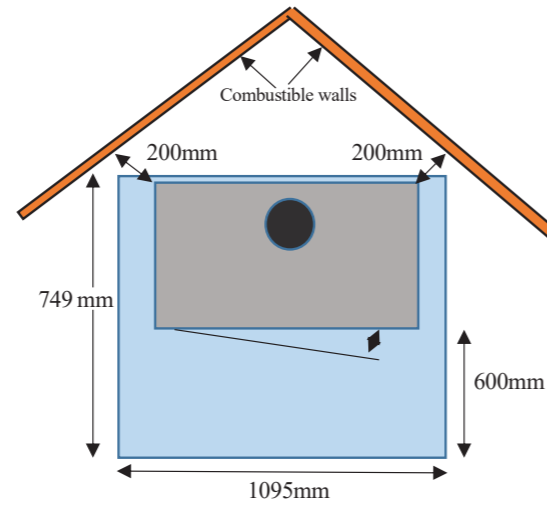
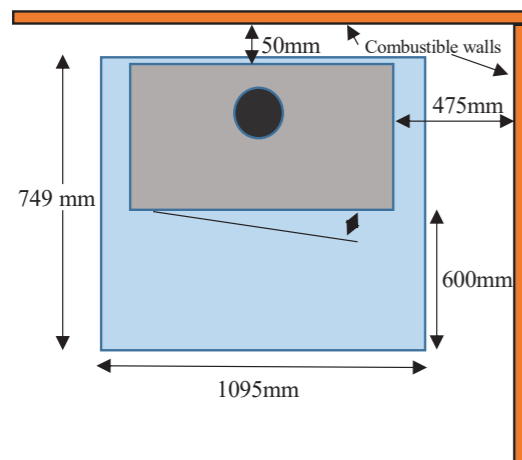
### Silver 1000 F/S

Clearance diagram



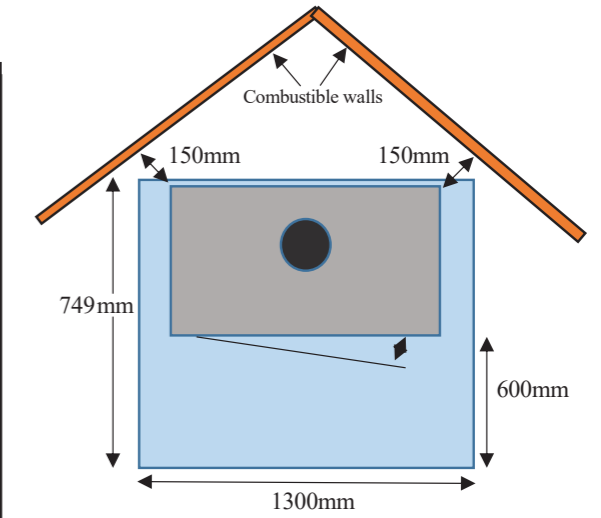
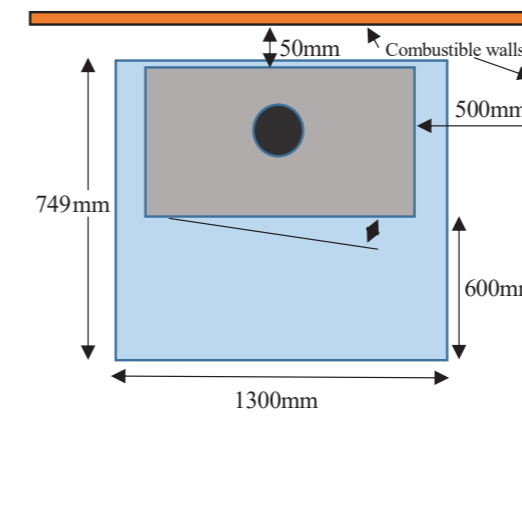
### Loire 800 F/S

Clearance diagram



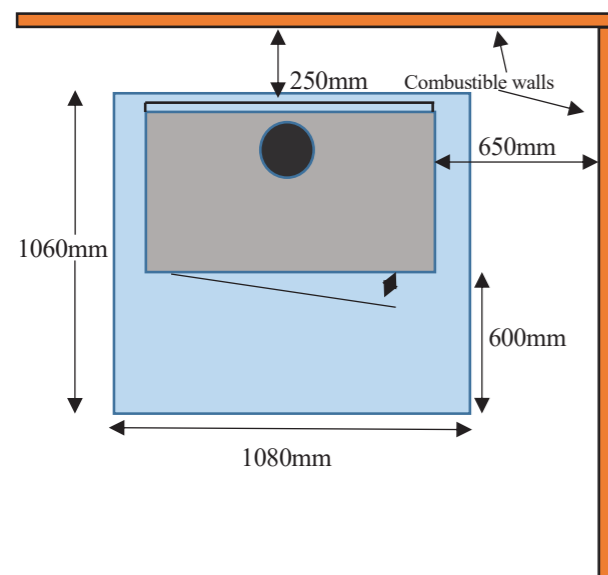
### Loire 1000 F/S

Clearance diagram



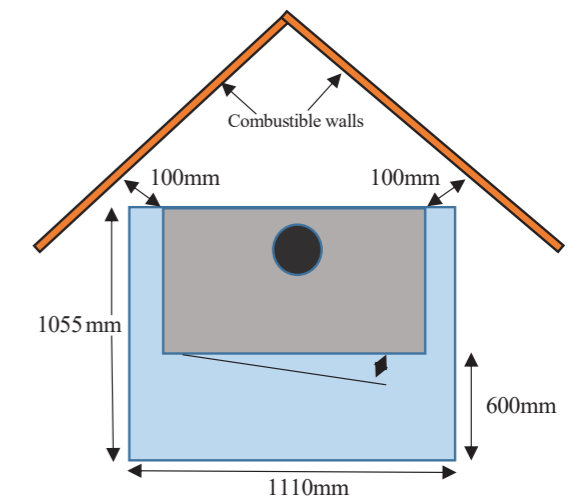
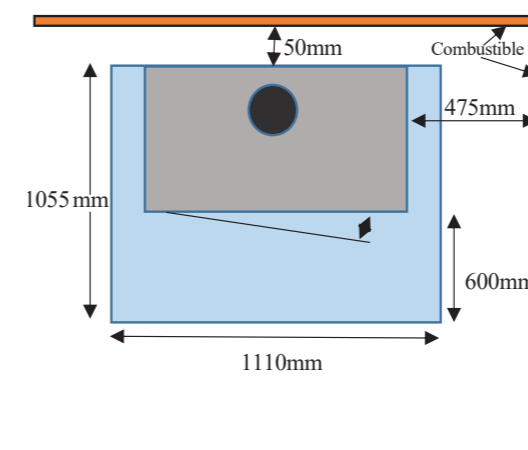
### Silver 800 F/S

Clearance diagram



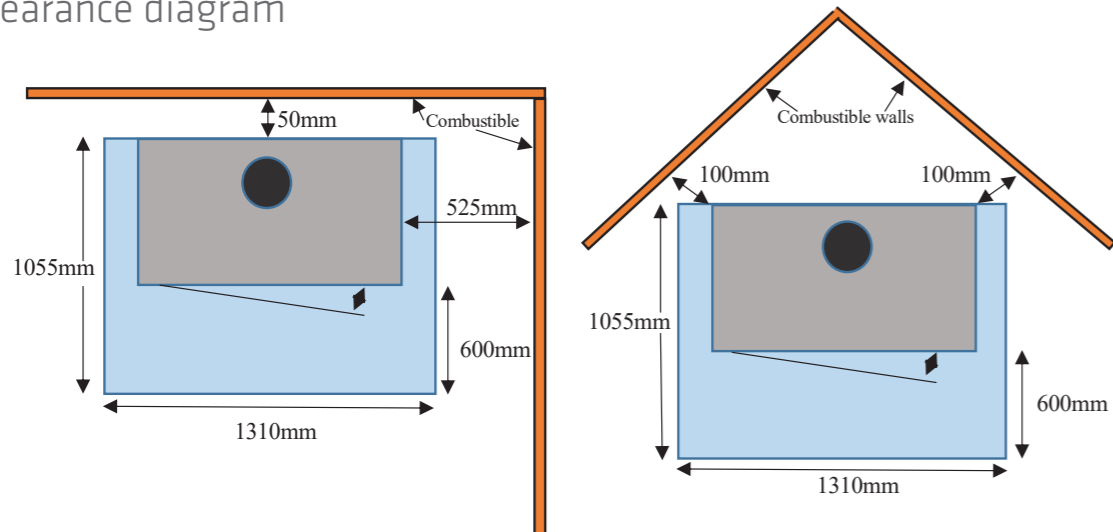
### Nive 800 F/S

Clearance diagram



## Nive 1000 F/S

Clearance diagram



## ELEVATION SAFETY CLEARANCES

Silver 800 Hearth Size	Front in M	Thickness in MM
Flat on ground	0.6000	50
Raised 100	0.4960	50
Raised 200	0.3347	25
Raised 300	0.3000	25
Raised 400	0.3000	25
Raised 500	0.3000	25

Silver 1000 Hearth Size	Front in M	Thickness in MM
Flat on ground	0.5500	36
Raised 100	0.4220	36
Raised 200	0.3000	18
Raised 300	0.3000	18
Raised 400	0.3000	18
Raised 500	0.3000	18

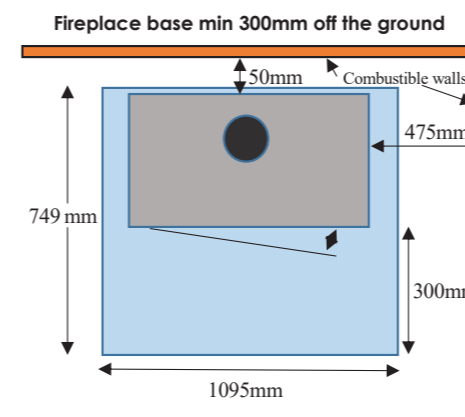
Nickel and Verona 800 Hearth Size	Front in M	Thickness in MM
Flat on ground	0.6000	36
Raised 100	0.4960	36
Raised 200	0.3347	18
Raised 300	0.3000	18
Raised 400	0.3000	18
Raised 500	0.3000	18

Nickel and Verona 1000 Hearth Size	Front in M	Thickness in MM
Flat on ground	0.6000	36
Raised 100	0.4764	36
Raised 200	0.3000	18
Raised 300	0.3000	18
Raised 400	0.3000	18
Raised 500	0.3000	18

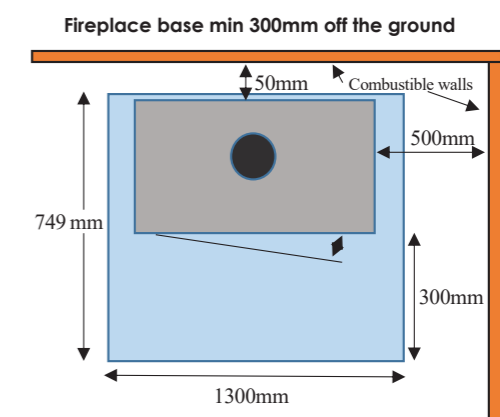
Loire 800 and 1000 Heart Size	Front in M	Thickness in MM
Flat on ground	0.6000	50
Raised 100	0.4764	36
Raised 200	0.3000	36
Raised 300	0.3000	18
Raised 400	0.3000	18
Raised 500	0.3000	18

NIVE 800 / 1000 Heart Size	Front in M	Thickness in MM
Flat on ground	0.6000	50
Raised 100	0.5650	36
Raised 200	0.4540	36
Raised 300	0.3000	18
Raised 400	0.3000	18
Raised 500	0.3000	18

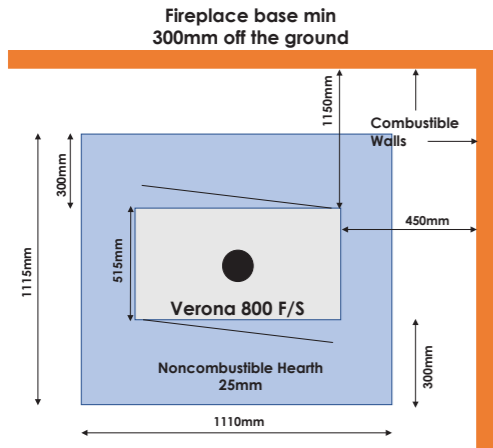
## Loire 800 F/S



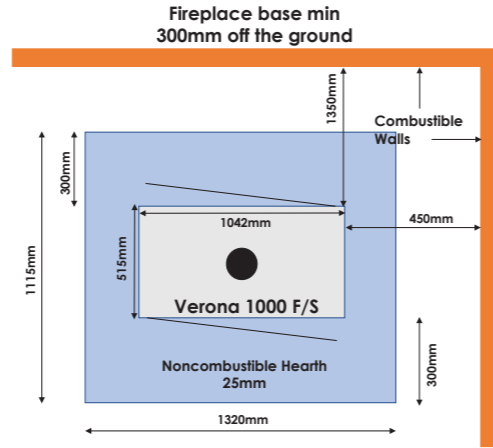
## Loire 1000 F/S



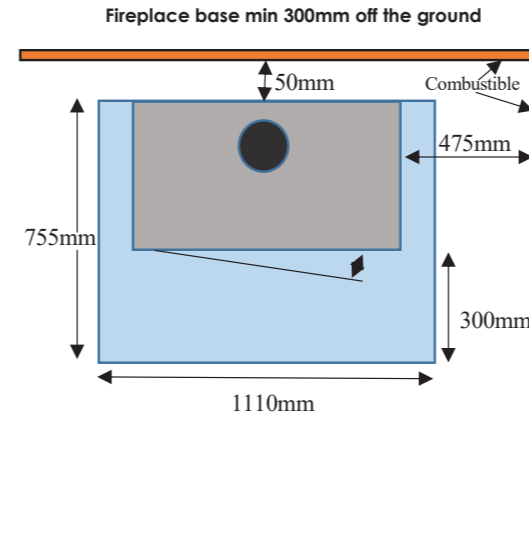
**Nickel and Verona 800**  
Clearance diagram



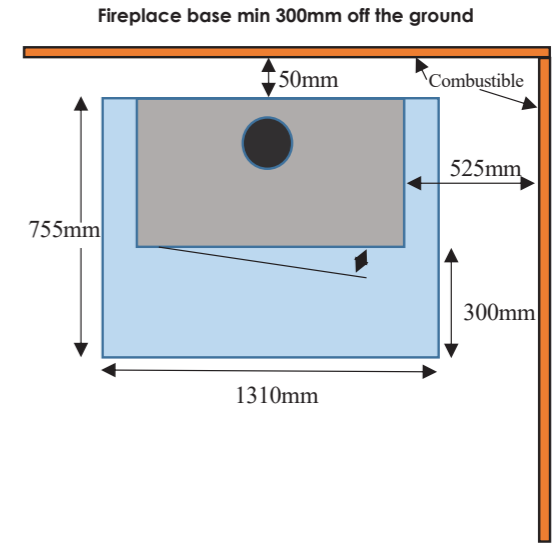
**Nickel and Verona 1000**  
Clearance diagram



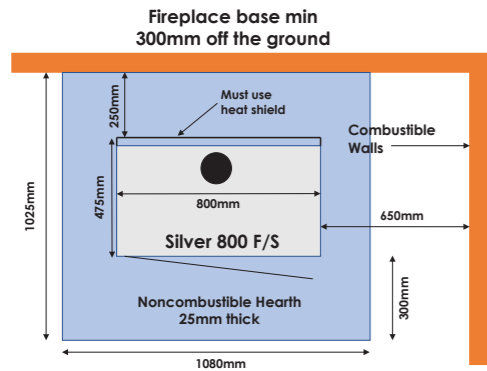
**Nive 800 F/S**  
Clearance diagram



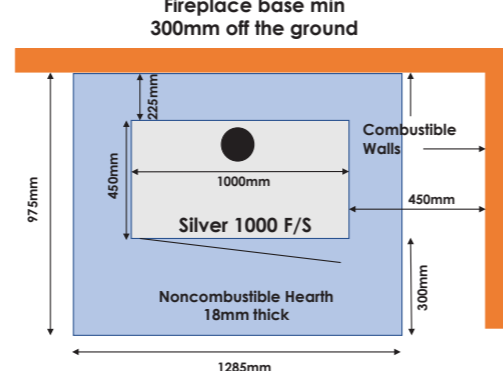
**Nive 1000 F/S**  
Clearance diagram



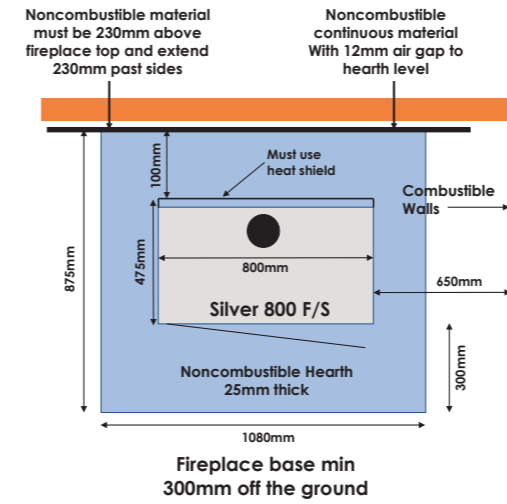
**Silver 800 F/S**  
Clearance diagram



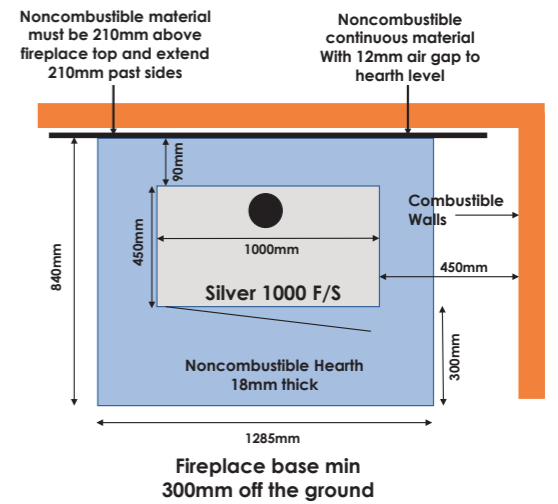
**Silver 1000 F/S**  
Clearance diagram



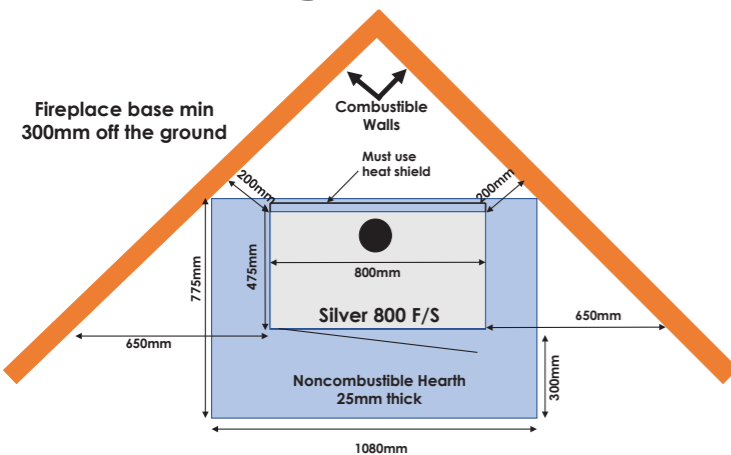
**Silver 800 F/S**  
Clearance diagram with wall shield



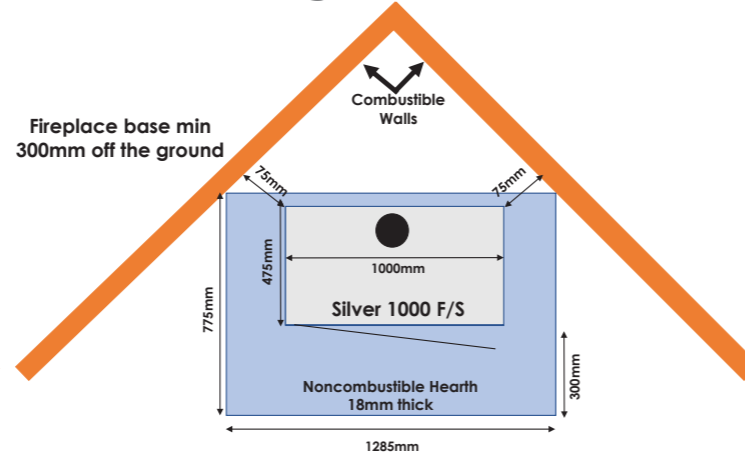
**Silver 1000 F/S**  
Clearance diagram with wall shield



**Silver 800 F/S**  
Clearance diagram Corner



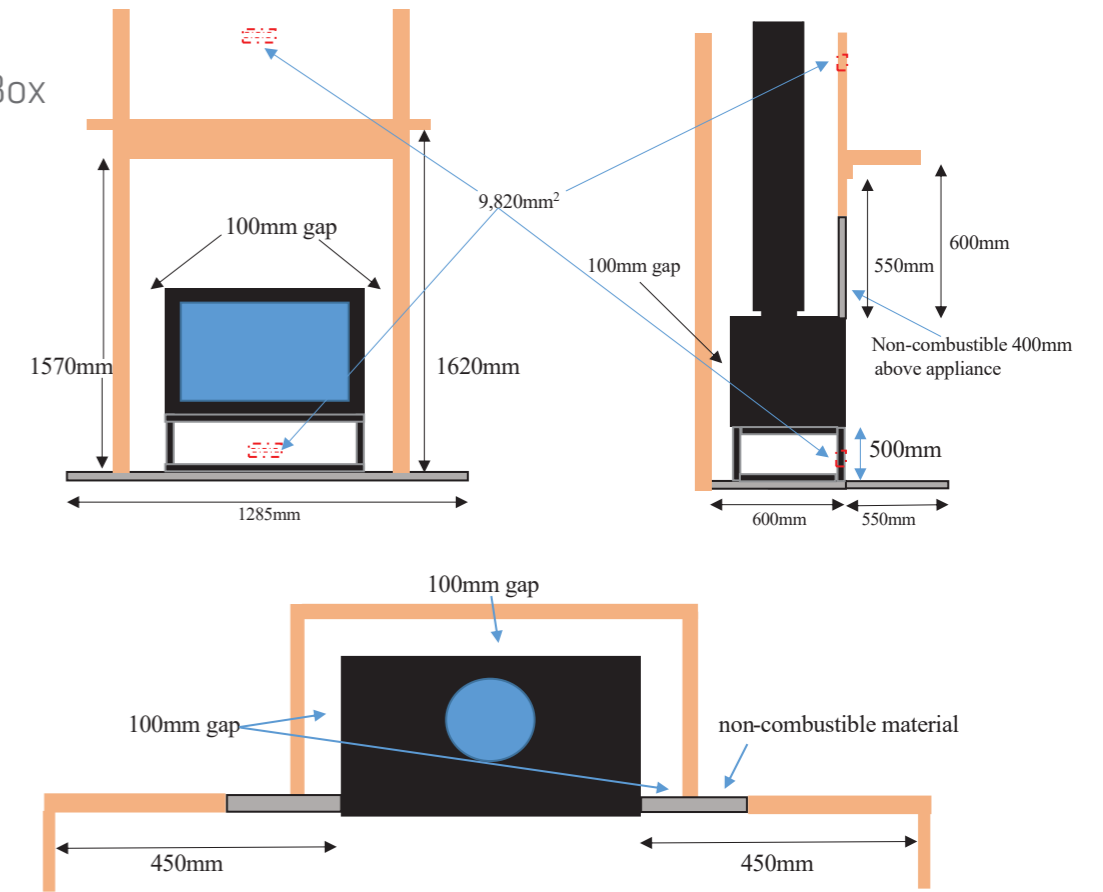
**Silver 1000 F/S**  
Clearance diagram Corner



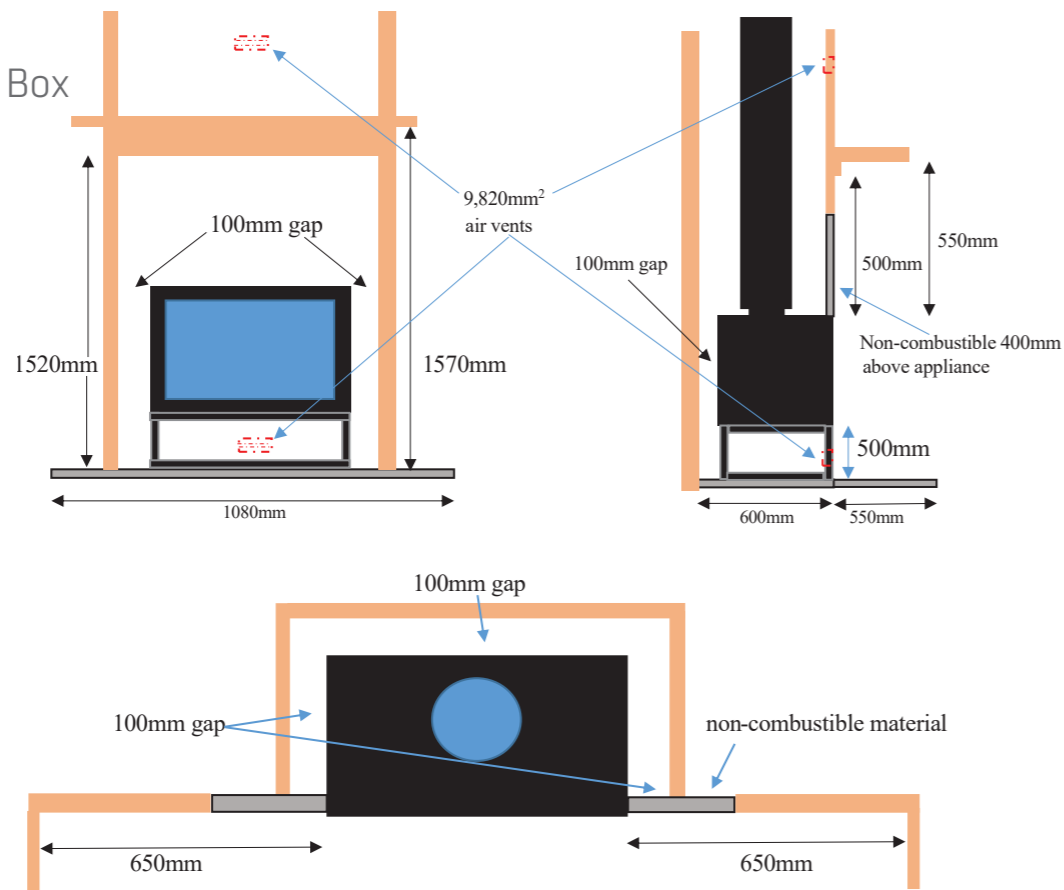


## IN-BUILT MODELS & ZERO CLEARANCE BOX - SAFETY

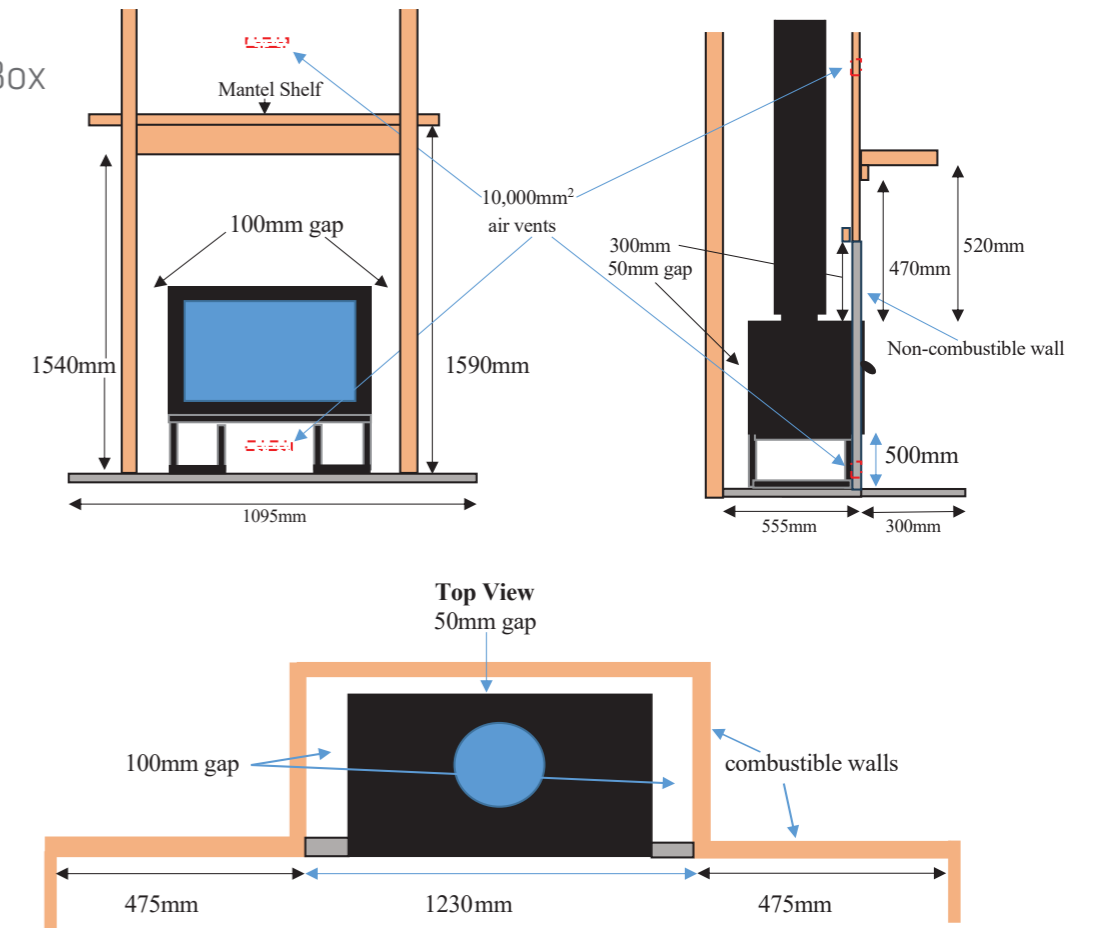
**Silver 1000**  
With Zero Clearance Box



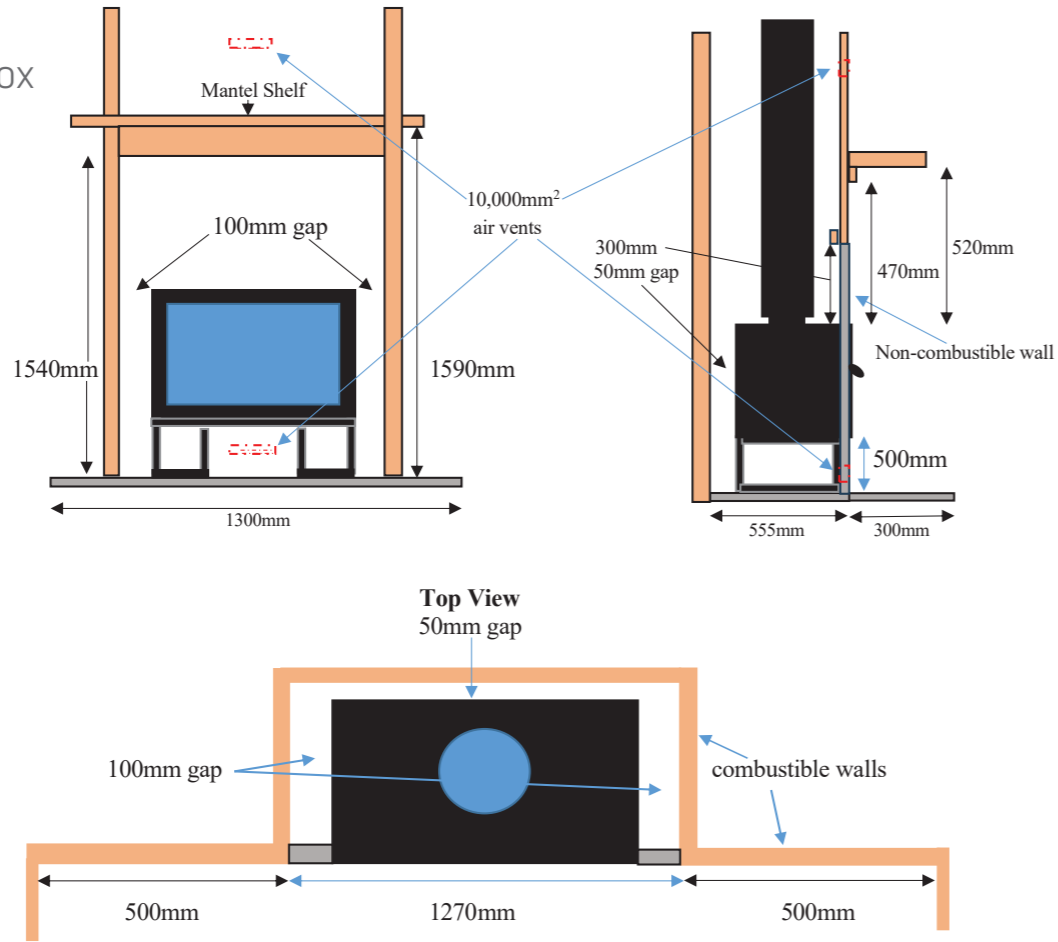
**Silver 800**  
With Zero Clearance Box



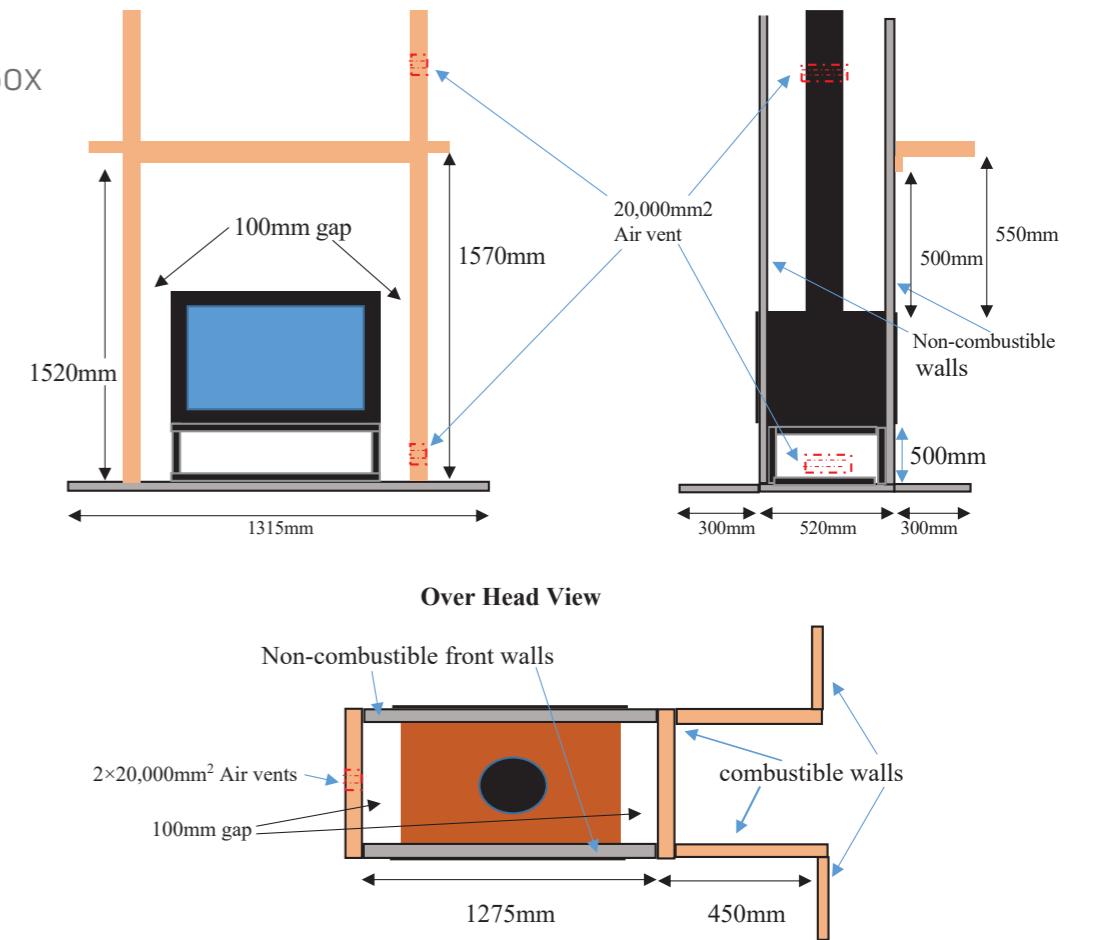
**Loire 800**  
With Zero Clearance Box



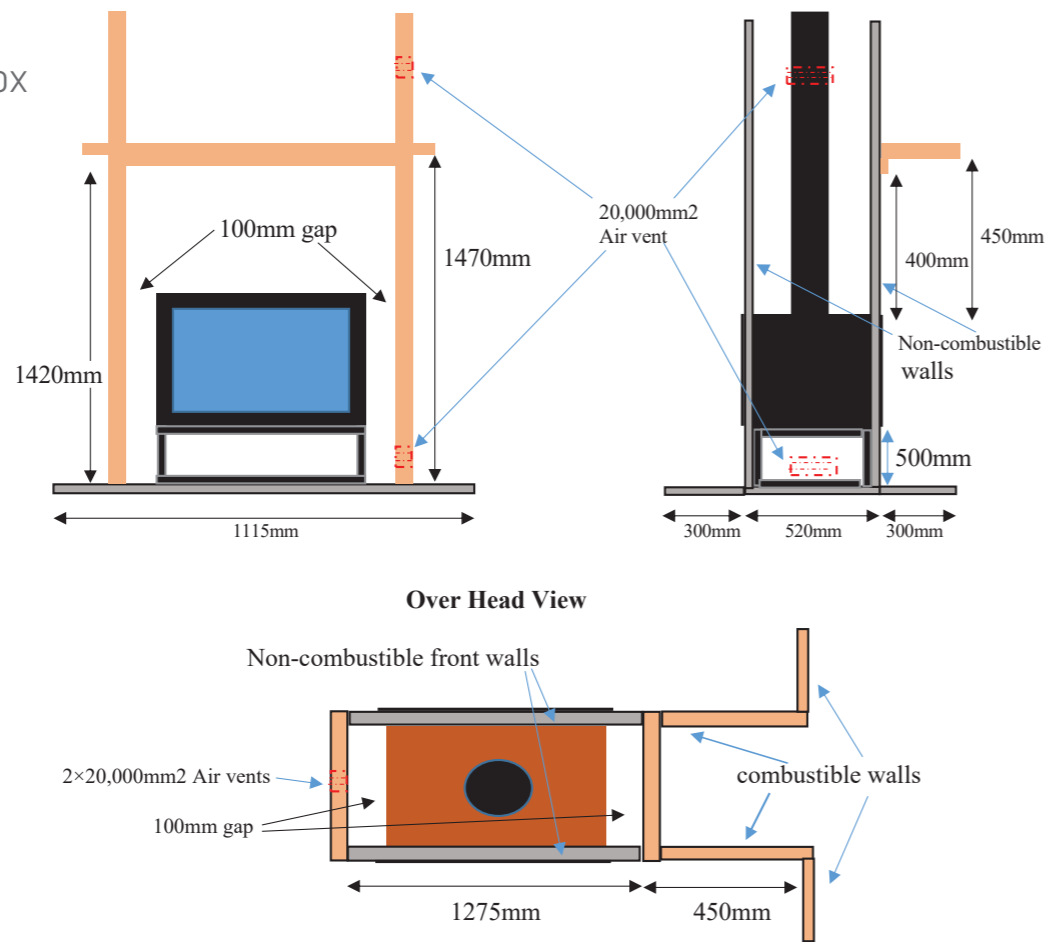
**Loire 1000**  
With Zero Clearance Box



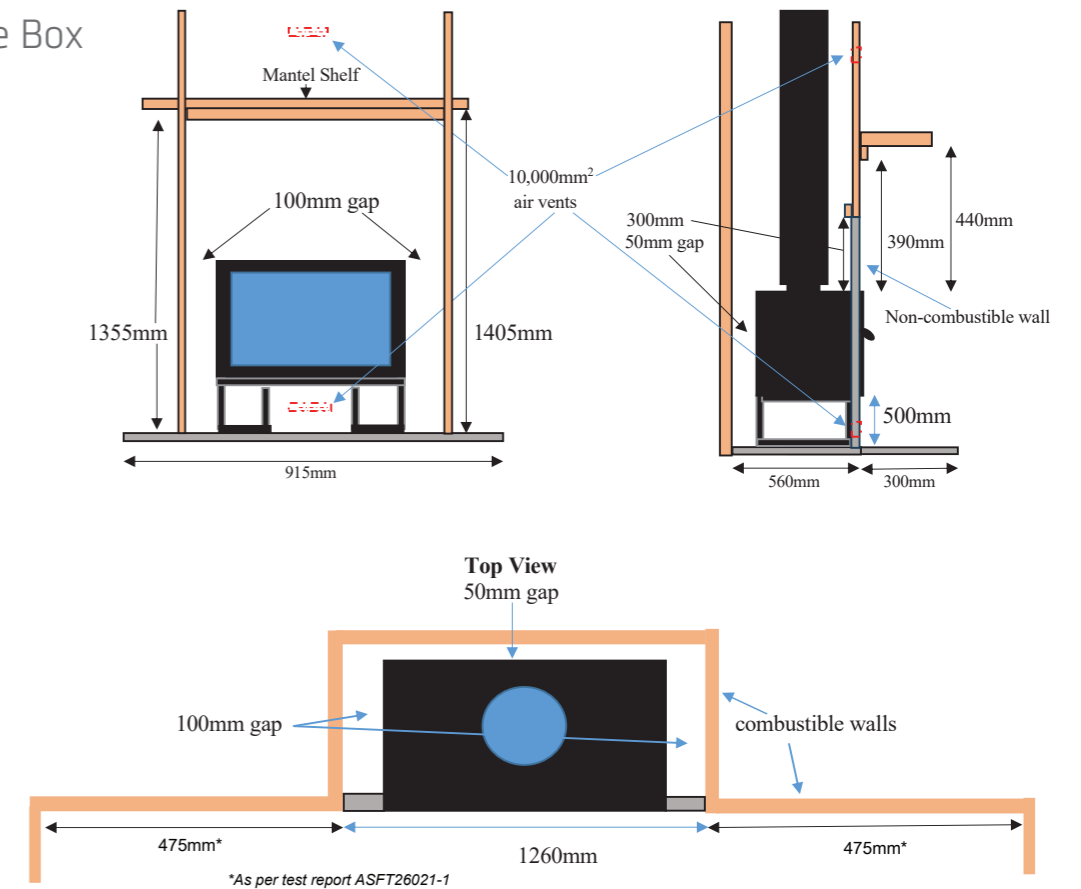
**Nickel 1000**  
With Zero Clearance Box



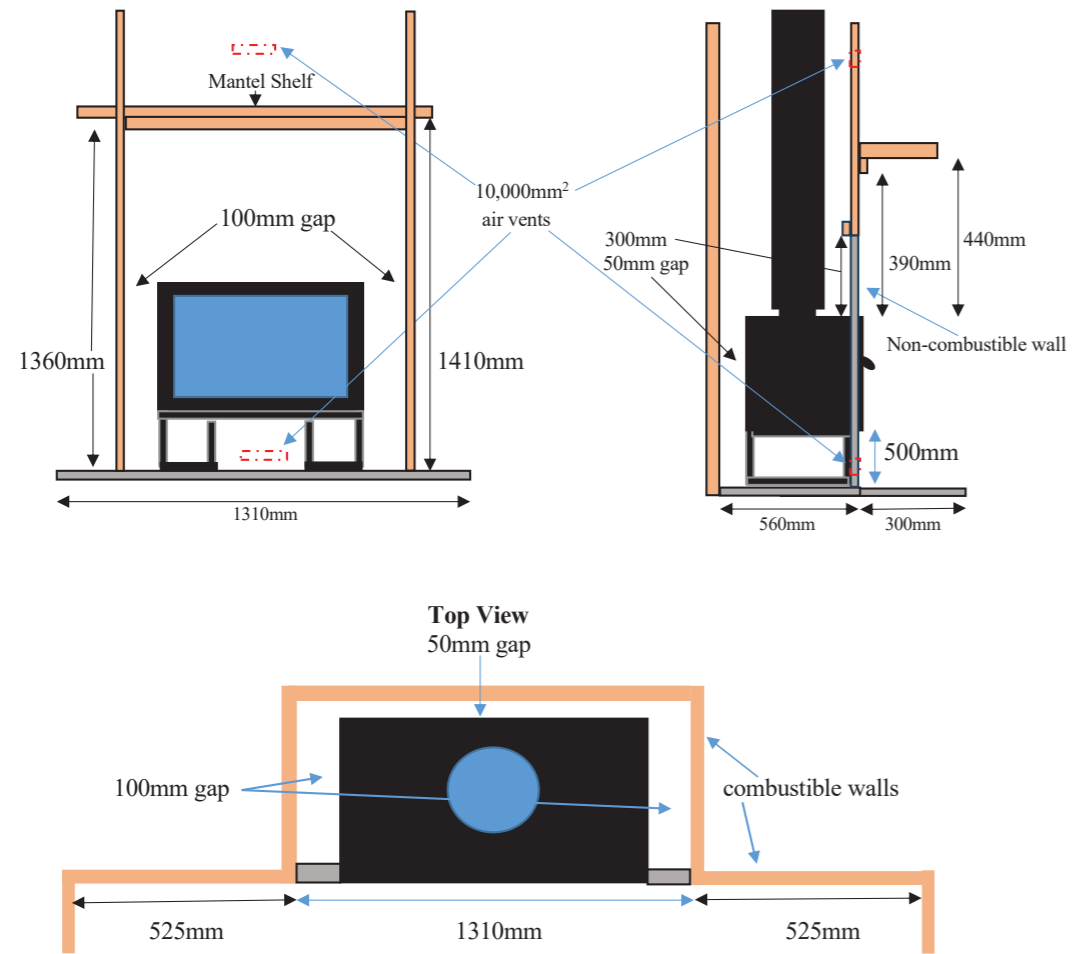
**Nickel 800**  
With Zero Clearance Box



**Nive 800 Inbuild**  
With Zero Clearance Box



**Nive 1000 Inbuild**  
With Zero Clearance Box



Model: Silver 1000 F/S

# ALTEA



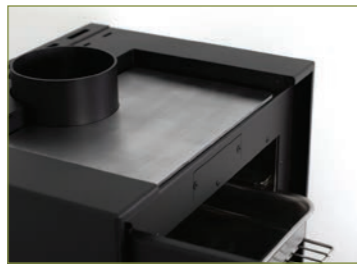
# OSLO



REMOVABLE COVER



GENEROUS COOKTOP



INCREDIBLE OVEN



BEAUTIFUL FIREBOX



REMOVABLE COVER



SPACIOUS COOKTOP



DEEP OVEN



STUNNING FIREBOX



with Optional Side Panels



	Width	Height	Depth
Wood Stove (mm)	600	1100	441
Wood Stove with Side Panels (mm)	700	1100	441
Firebox (mm)	530	220	280
Oven (mm)	443	253	355

with Optional Side Panels



	Width	Height	Depth
Wood Stove (mm)	700	1312	441
Wood Stove with Side Panels (mm)	801	1312	441
Firebox (mm)	630	220	280
Oven (mm)	553	253	355

## CHARACTERISTICS

**The Lacunza ALTEA wood cooker brings homestead cooking into your kitchen.**

Its hotplate is perfect for sizzling breakfasts and slow-simmered stews, while the spacious oven bakes golden loaves and tender roasts with that unmistakable wood-fired character. When the fire's glowing, open the firebox and cook directly over the flames for that rich, smoky BBQ flavour that only real wood can create. More than just a cooker, the ALTEA becomes the gathering place of your home, where simple ingredients become hearty meals and lifetime memories.

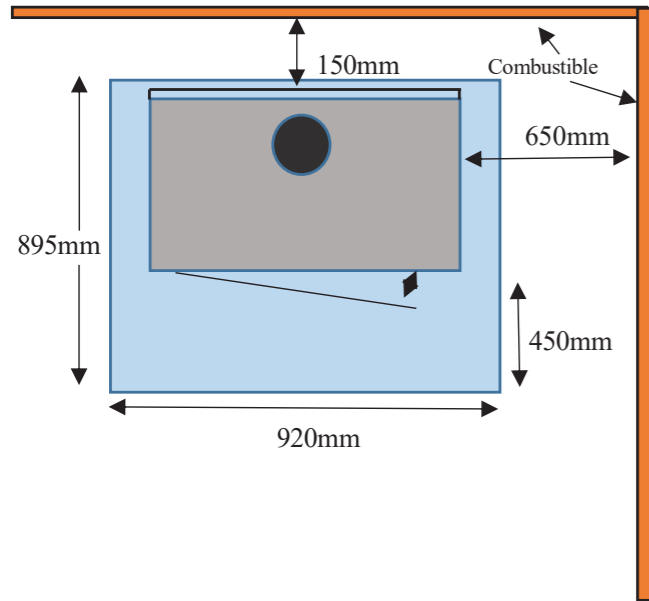
## CHARACTERISTICS

**The Lacunza OSLO wood stove is built for homes that cook, gather, and live by the fire.**

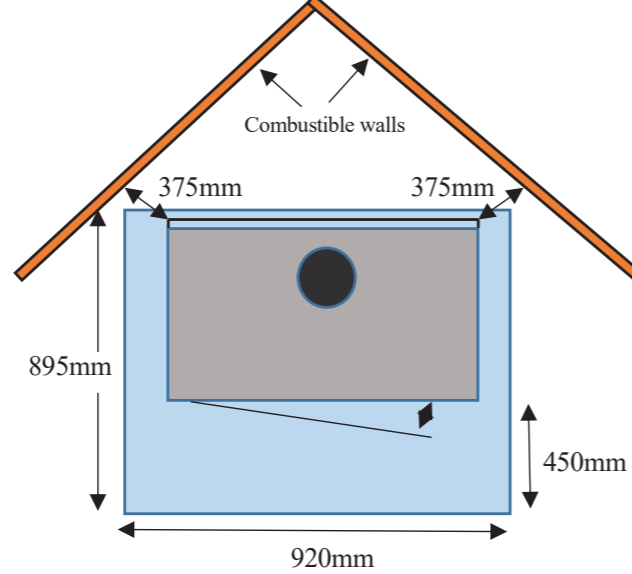
The OSLO offers a broad hotplate for hearty family meals and a generous oven that bakes, roasts, and warms effortlessly with wood-fired flavour. Open the firebox and grill over the flames for that unmistakable, unforgettable BBQ taste, all from the heart of your home. Designed with Lacunza's clean-burning technology, the OSLO delivers more heat with less smoke, keeping the fire bright and the glass clear. A true homestead stove designed for real cooking, honest warmth, and lasting comfort.

# ALTEA

Position A – Parallel position

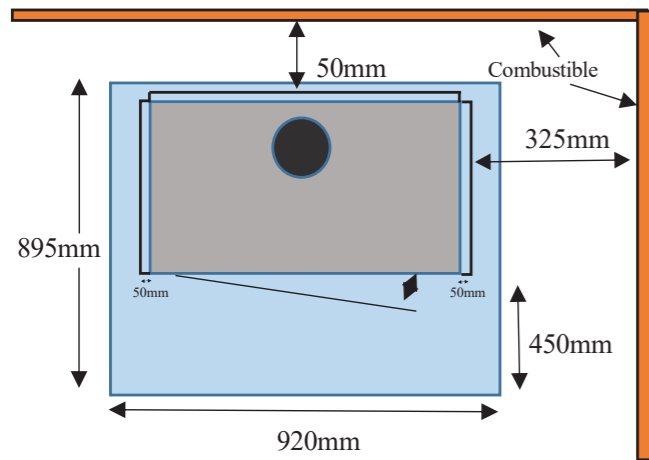


Position B – Corner position

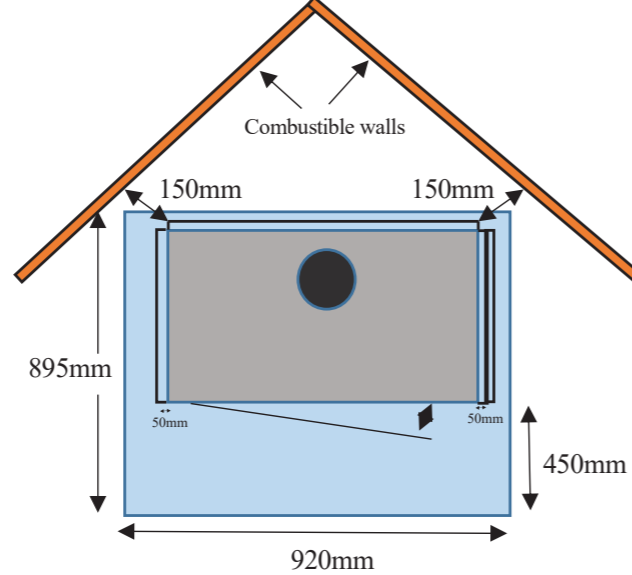


**With Side Panels Installed\***

Position A – Parallel position



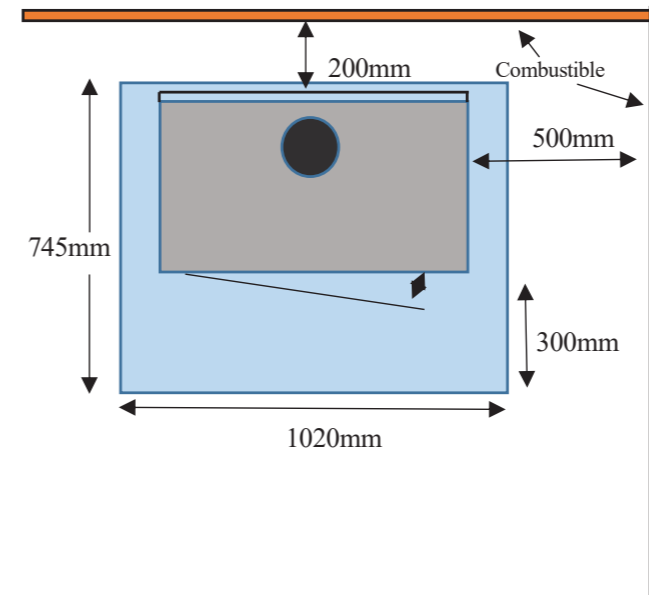
Position B – Corner position



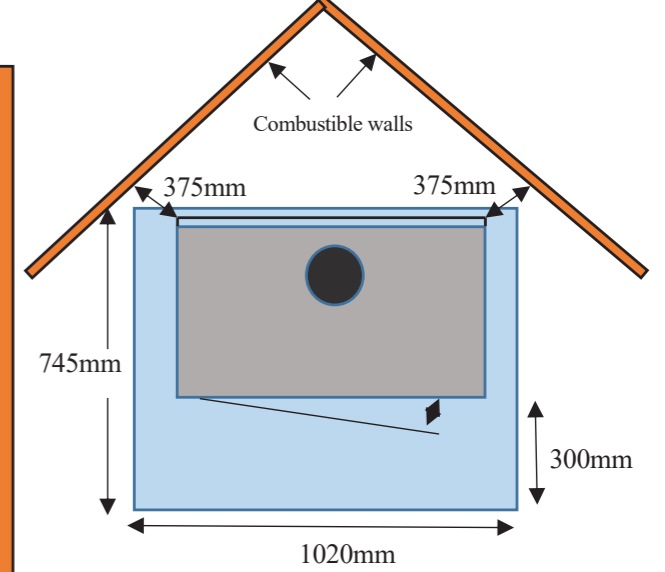
**\*Side Panels 445mm wide x 1100mm high x 1.5mm thick**

# OSLO

Position A – Parallel position

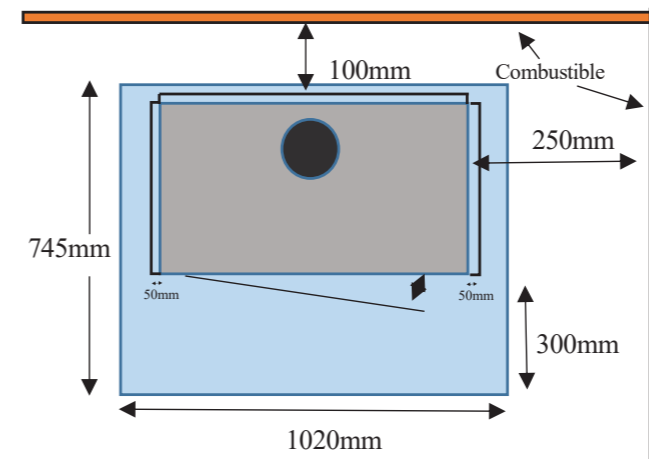


Position B – Corner position

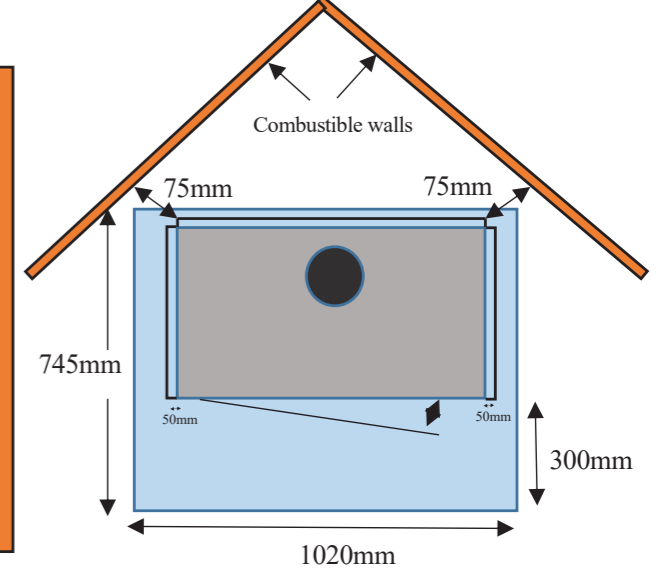


**With Side Panels Installed\***

Position A – Parallel position



Position B – Corner position



**\*Side Panels 445mm wide x 1100mm high x 1.5mm thick**

# FREESTANDING



Model	Atlantic 603	Atlantic 613	Loire 800	Loire 1000
<b>Heat output</b>	6,1 kW	11,8 kW	12,3 kW	14,1 kW
<b>Efficiency</b>	67 %	64 %	66 %	67%
<b>Emissions CO</b>	0,5 %	0,5 %	0,5 %	0,7 %
<b>Firewood</b>	50 cm	50 cm	70 cm	85 cm
<b>Heating Capacity</b>	200 m <sup>2</sup>	250 m <sup>2</sup>	250 m <sup>2</sup>	300 m <sup>2</sup>
<b>Overnight Burns Up to</b>	12 hrs	12 hrs	10 hrs	12 hrs
<b>Flue socket</b>	Ø 150 mm	Ø 150 mm	Ø 150 mm	Ø 200 mm
<b>Weight</b>	90 kg	103 kg	100 kg	117 kg
<b>Dimensions (Width*Depth*Height mm)</b>				
<b>External</b>	600 x 428 x 850	600 x 428 x 1100	796 x 449 x 576	996 x 449 x 576
<b>Firebox</b>	530 x 220 x 280	530 x 470 x 280	704 x 235 x 340	904 x 235 x 340
<b>Glass view</b>	480 x 245	480 x 445	695 x 670	895 x 370
<b>Technologies</b>				
<b>Easy Fire Control</b>			•	•
<b>Double Combustion</b>	•	•	•	•
<b>Silence Mode</b>				
<b>Extra Clean Glass</b>	•	•	•	•
<b>Cleaning Access</b>	•	•	•	•
<b>Easy To Clean</b>	•	•	•	•
<b>External Air Inlet</b>	• (120 mm)	• (120 mm)	• (120 mm)	• (120 mm)
<b>Fans</b>	-	-	2	4



Verona 800	Verona 1000	Silver 800	Silver 1000	Nive 800	Nive 1000
15,8 kW	19,9kW	10 kW	11,3 kW	9,5 kW	13,5 kW
64 %	60 %	70 %	65%	65 %	67 %
0,9 %	0,9 %	0,9%	0,7 %	0,9 %	1,0%
70 cm	85 cm	65 cm	85 cm	60 cm	80 cm
300 m <sup>2</sup>	350 m <sup>2</sup>	250 m <sup>2</sup>	300 m <sup>2</sup>	250 m <sup>2</sup>	300 m <sup>2</sup>
10 hrs	12 hrs	10 hrs	12 hrs	10 hrs	12 hrs
Ø 200 mm	Ø 200 mm	Ø 200 mm	Ø 200 mm	Ø 150 mm	Ø 150 mm
130 kg	140 kg	107 kg	132 kg	91 kg	111 kg
<b>Dimensions (Width*Depth*Height mm)</b>					
842 x 515 x 562	1042 x 515 x 562	800 x 450 x 520	1000 x 450 x 520	796 x 457 x 476	996 x 457 x 476
654 x 310 x 430	854 x 310 x 430	695 x 172 x 357	695 x 172 x 357	654 x 300 x 290	854 x 300 x 290
707 x 318	907 x 318	682 x 255	882 x 255	720 x 370	920 x 370
<b>Technologies</b>					
•	•			•	•
•	•	•	•	•	•
				•	•
•	•	•	•	•	•
•	•	•	•	•	•
•	•	•	•	•	•
• (120 mm)	• (120 mm)			• (80 mm)	• (80 mm)
-	-	2(optional)	2(optional)	1(optional)	3(optional)

# INBUILT



Model	Loire 800	Loire 1000	Nickel 800	Nickel 1000	Silver 800	Silver 1000	Nive 800	Nive 1000
<b>Heat output</b>	10 kW	14,1 kW	15,8 kW	19,9 kW	10 kW	11,3 kW	9,5 kW	13,6 kW
<b>Efficiency</b>	66 %	67 %	64 %	60 %	70 %	65 %	65 %	67 %
<b>Emissions CO</b>	0,5 %	0,7 %	0,9 %	0,9 %	0,9 %	0,7 %	0,9 %	1,0%
<b>Firewood</b>	70 cm	85 cm	70 cm	85 cm	65 cm	85 cm	60 cm	80 cm
<b>Heating Capacity</b>	250 m <sup>2</sup>	300 m <sup>2</sup>	300 m <sup>2</sup>	350 m <sup>2</sup>	250 m <sup>2</sup>	300 m <sup>2</sup>	250 m <sup>2</sup>	300 m <sup>2</sup>
<b>Overnight Burns Up to</b>	10 hrs	12 hrs	10 hrs	12 hrs	10 hrs	12 hrs	10 hrs	12 hrs
<b>Flue socket</b>	Ø 150 mm	Ø 200 mm	Ø 200 mm	Ø 200 mm	Ø 200 mm	Ø 200 mm	Ø 150 mm	Ø 150 mm
<b>Weight</b>	100 kg	117 kg	130 kg	140 kg	107 kg	132 kg	91 kg	111 kg
<b>Dimensions (Width*Depth*Height mm)</b>								
<b>External</b>	836 x 451 x 616	1036 x 451 x 616	892 x 510 x 611	1092 x 510 x 611	892 x 450 x 611	1092 x 450 x 611	836 x 471 x 513	1040 x 471 x 516
<b>Firebox</b>	704 x 235 x 340	904 x 235 x 340	654 x 310 x 430	854 x 310 x 430	695 x 172 x 357	695 x 172 x 357	654 x 300 x 290	854 x 300 x 290
<b>Glass view</b>	695 x 670	895 x 370	707 x 318	907 x 318	682 x 255	882 x 255	720 x 370	920 x 370
<b>Technologies</b>								
<b>Easy Fire Control</b>	•	•	•	•	•	•	•	•
<b>Double Combustion</b>	•	•	•	•	•	•	•	•
<b>Silence Mode</b>	•	•					•	•
<b>Extra Clean Glass</b>	•	•	•	•	•	•	•	•
<b>Cleaning Access</b>	•	•	•	•	•	•	•	•
<b>Easy To Clean</b>	•	•	•	•	•	•	•	•
<b>External Air Inlet</b>	• (80 mm)	• (80 mm)	• (120 mm)	• (120 mm)			• (80 mm)	• (80 mm)
<b>Pure Air</b>							•	•
<b>Fans</b>	2	4	-	-	2(optional)	2(optional)	1(optional)	3(optional)

# WOOD STOVES



Model	Altea	Oslo
<b>Heat output</b>	7 kW(*)	9 kW(*)
<b>Efficiency</b>	87 %(*)	87,6 %(*)
<b>Emissions CO</b>	0,04 %(*)	0,04 %(*)
<b>Firewood</b>	50 cm	60 cm
<b>Heating Capacity</b>	Up to 150 m <sup>2</sup>	Up to 200 m <sup>2</sup>
<b>Overnight Burns Up to</b>	10 hrs	10 hrs
<b>Flue socket</b>	Ø 150 mm	Ø 150 mm
<b>Weight</b>	126 kg	160 kg
<b>Dimensions (Width*Depth*Height mm)</b>		
<b>External/* with side panels</b>	600/700* x 1100 x 406	700/800* x 1312 x 400
<b>Firebox</b>	530 x 220 x 280	630 x 220 x 280
<b>Oven</b>	443 x 253 x 355	553 x 253 x 355
<b>Glass view</b>	540 x 245	440 x 245
<b>Technologies</b>		
<b>Easy Fire Control</b>	•	•
<b>Double Combustion</b>	•	•
<b>Extra Clean Glass</b>	•	•
<b>Cleaning Access</b>	•	•
<b>Easy To Clean</b>	•	•

(\*) EU testing results



# LACUNZA

*Natural comfort*



Le label  
du chauffage  
au bois



[info@lacunza.com.au](mailto:info@lacunza.com.au)  
[www.lacunza.com.au](http://www.lacunza.com.au)

Lacunza imported by SGB Distributors(Pty) Ltd.