

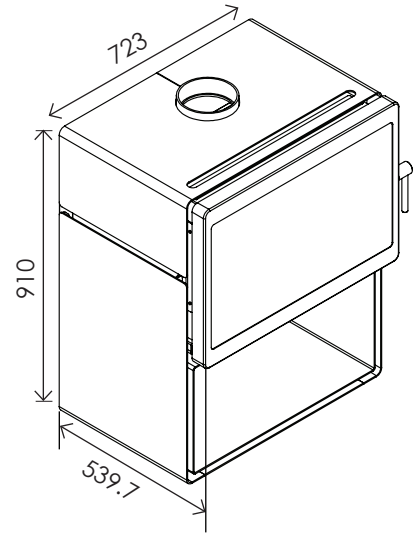
blaze



Z3 Woodstacker

blaze Z3 Woodstacker

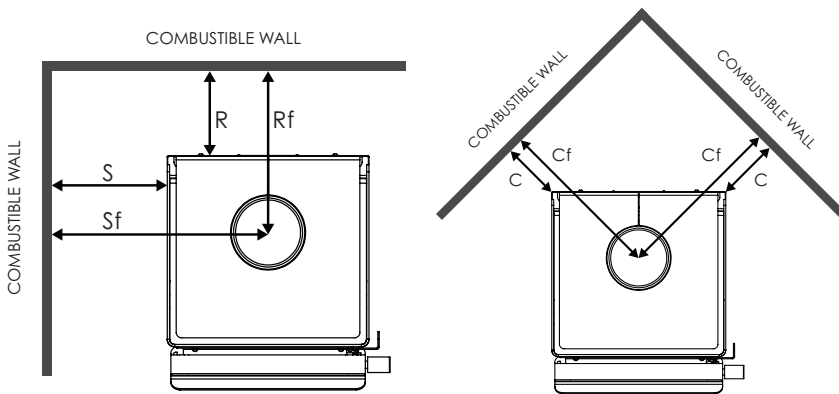
- Large viewing window
- Convenient wood storage area
- Freestanding fan-forced convection heating
- Designed in Australia
- 6mm steel construction firebox
- Heats up to 200-260m²
- Internal firebrick lining
- Black-bordered glass and a slim steel edged door
- Brushed stainless steel handles
- Floating twin-skin construction



Type	Legs
Heat Output	12.3kW
Efficiency	63%
Emissions	0.6g/kg
Max Log Size	500mm

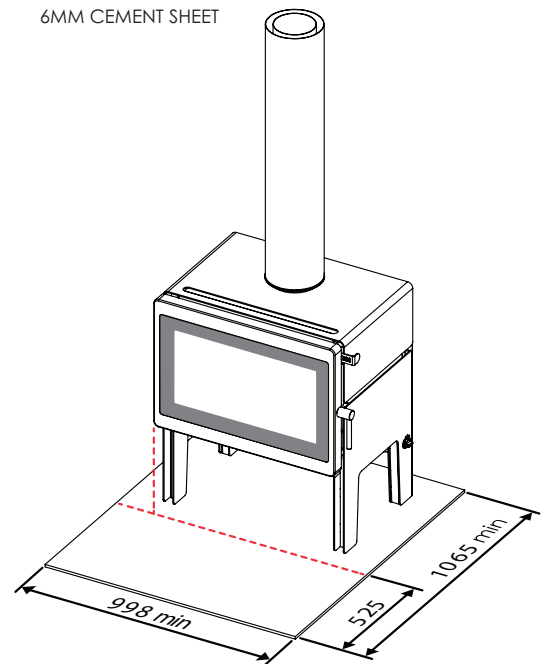
*All dimensions contained within this document are in millimeters (mm) unless specified otherwise. In the interest of product development, Glen Dimplex Australia Pty Ltd reserve the right to change the specifications without prior notice of the Blaze range products. Refer to the Installation Manual for clarification on the clearances.

Installation & Clearances



CLEARANCES STANDARD INSTALLATION		
	Solid flue shield	Insulated
S (Side)	400mm	400mm
R (Rear)	200mm	250mm
Sf (Side to flue)	762mm	762mm
Rf (Rear to flue)	390mm	440mm

CLEARANCES CORNER INSTALLATION	
Solid flue shield OR Single rear shield OR Insulated	
C (Corner)	150mm
Cf (Corner to flue)	540mm



Glen Dimplex Australia Ltd

Glen Dimplex Australia Ltd's policy is one of continuous development. We reserve the right to change size and specifications without notice. For the latest product information and warranty details please refer to www.blaze.com.au. Please refer to the installation and operation instructions before having your Blaze Wood Fire installed. A full set of these instructions is supplied with each fire.