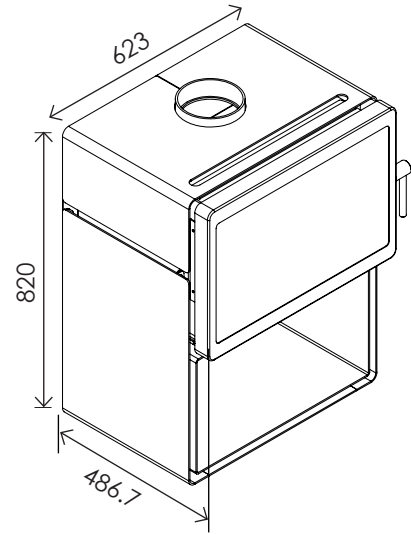


blaze



Z2 WOODSTACKER

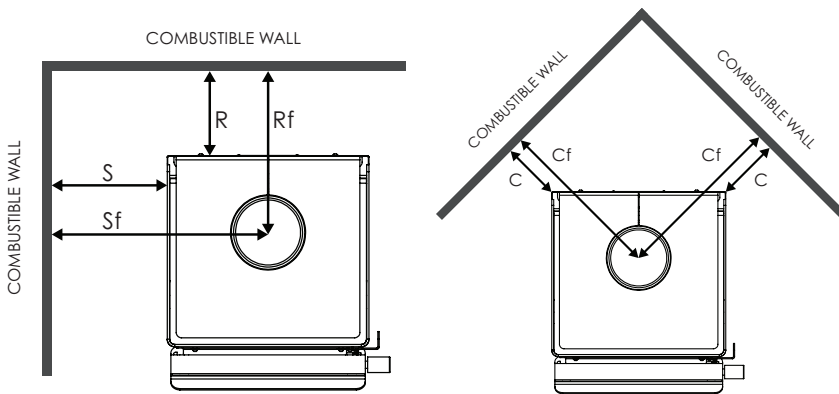
- Large viewing window
- Convenient wood storage area
- Freestanding fan-forced convection heating
- Designed in Australia
- 5mm steel construction firebox
- Heats up to 200m²
- Internal firebrick lining
- Black-bordered glass and a slim steel edged door
- Brushed stainless steel handles
- Floating twin-skin construction



Type	Legs
Heat Output	9.2kW
Efficiency	67%
Emissions	1.0g/kg
Max Log Size	400mm

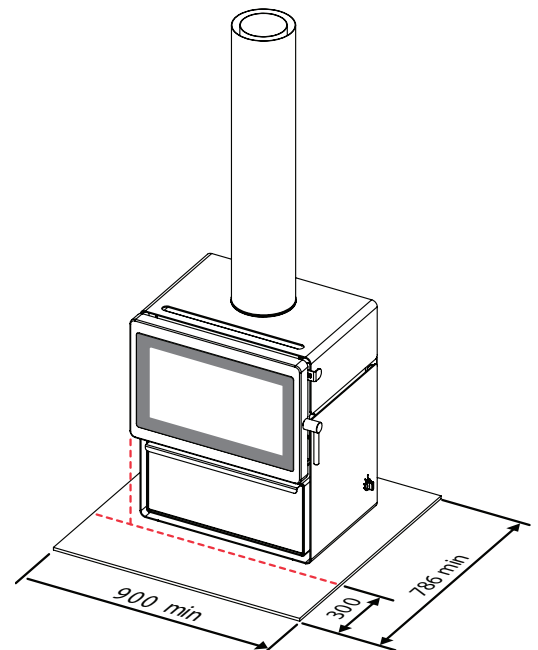
*All dimensions contained within this document are in millimeters (mm) unless specified otherwise. In the interest of product development, Glen Dimplex Australia Pty Ltd reserve the right to change the specifications without prior notice of the Blaze range products. Refer to the Installation Manual for clarification on the clearances.

Installation & Clearances



	CLEARANCES STANDARD INSTALLATION	
	Solid flue shield	Insulated
S (Side)	350mm	350mm
R (Rear)	150mm	175mm
Sf (Side to flue)	663mm	663mm
Rf (Rear to flue)	330mm	355mm

CLEARANCES CORNER INSTALLATION	
Solid flue shield OR Single rear shield OR Insulated	
C (Corner)	150mm
Cf (Corner to flue)	498mm



Glen Dimplex Australia Ltd

Glen Dimplex Australia Ltd's policy is one of continuous development. We reserve the right to change size and specifications without notice. For the latest product information and warranty details please refer to www.blaze.com.au. Please refer to the installation and operation instructions before having your Blaze Wood Fire installed. A full set of these instructions is supplied with each fire.