

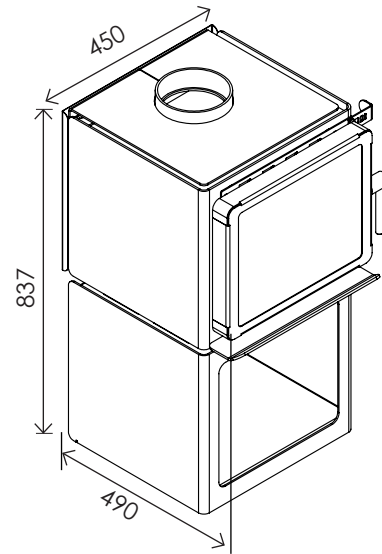
blaze



Z1 WOODSTACKER

blaze Z1 WOODSTACKER

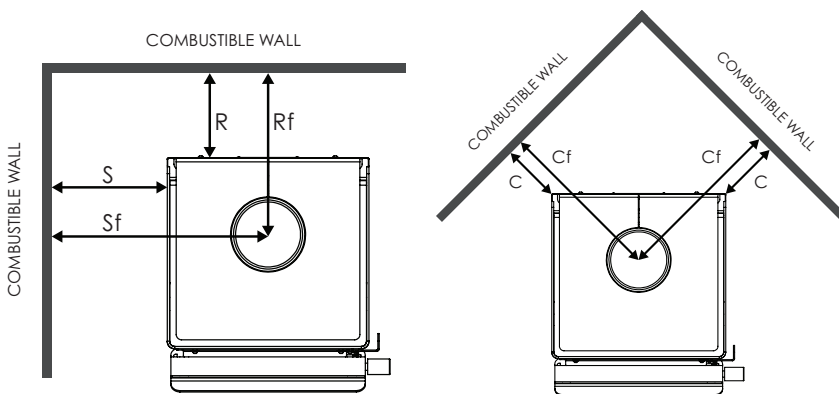
- Large viewing window
- Convenient wood storage area
- Freestanding radiant heating
- Designed in Australia
- 5mm steel construction firebox
- Heats up to 160m²
- Internal firebrick lining
- Black-bordered glass and a slim steel edged door
- Brushed stainless steel handles
- Floating twin-skin construction



Type	Woodstacker
Heat Output	10.8kW
Efficiency	65%
Emissions	0.6g/kg
Max Log Size	350mm

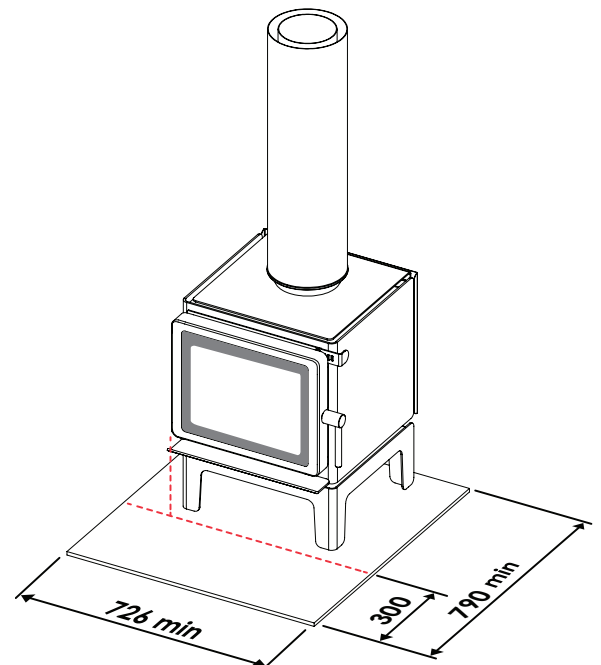
*All dimensions contained within this document are in millimeters (mm) unless specified otherwise. In the interest of product development, Glen Dimplex Australia Pty Ltd reserve the right to change the specifications without prior notice of the Blaze range products. Refer to the Installation Manual for clarification on the clearances.

Installation & Clearances



CLEARANCES STANDARD INSTALLATION	
Solid flue shield OR Single rear shield OR Insulated	
S (Side)	700mm
R (Rear)	150mm
Sf (Side to flue)	925mm
Rf (Rear to flue)	321mm

CLEARANCES CORNER INSTALLATION	
Solid flue shield OR Single rear shield OR Insulated	
C (Corner)	450mm
Cf (Corner to flue)	729mm



Glen Dimplex Australia Ltd

Glen Dimplex Australia Ltd's policy is one of continuous development. We reserve the right to change size and specifications without notice. For the latest product information and warranty details please refer to www.blaze.com.au. Please refer to the installation and operation instructions before having your Blaze Wood Fire installed. A full set of these instructions is supplied with each fire.